



Katalog

Kostkarki • Łuskarki





Shaping The Ice



[Cover](#)

[About](#)

[Products](#)

[Model series](#)

[Contacts](#)

We are Brema

Making ice is our business
Doing it with passion and care is our mission

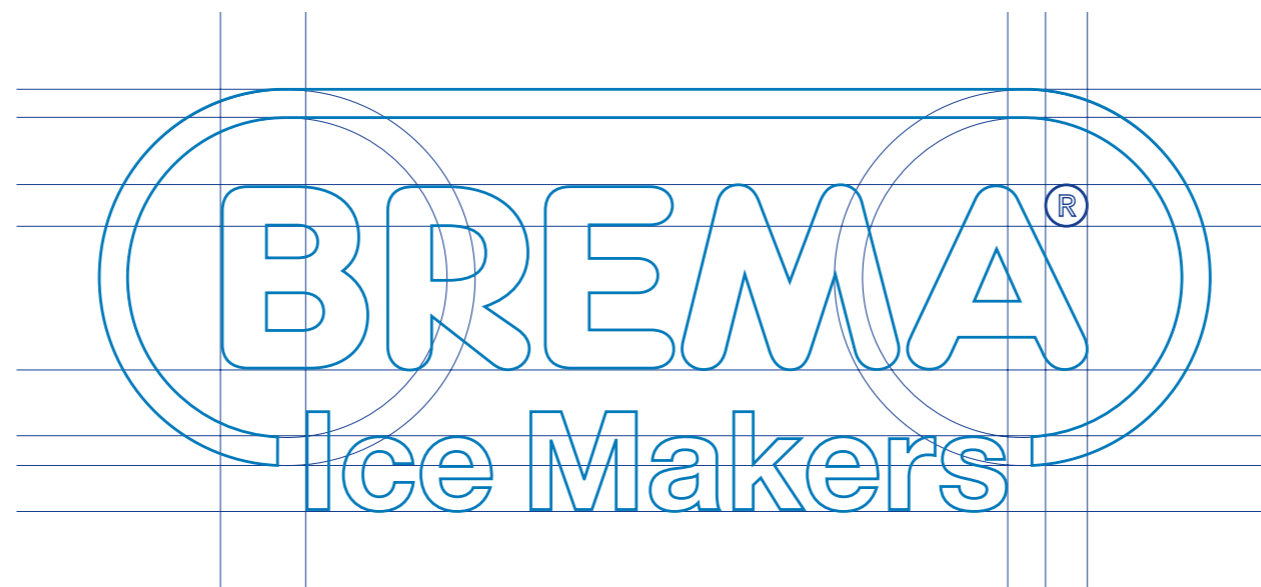
Precision and punctuality are our way of being.



Ethics in trading, transparency in managing the Company and respect for the institutions of every Country in the world summarise the principles which underpin our business.



We are certified UNI EN ISO 9001:2008 to guarantee the quality of our business processes.



Certifications

Ice that gives you confidence

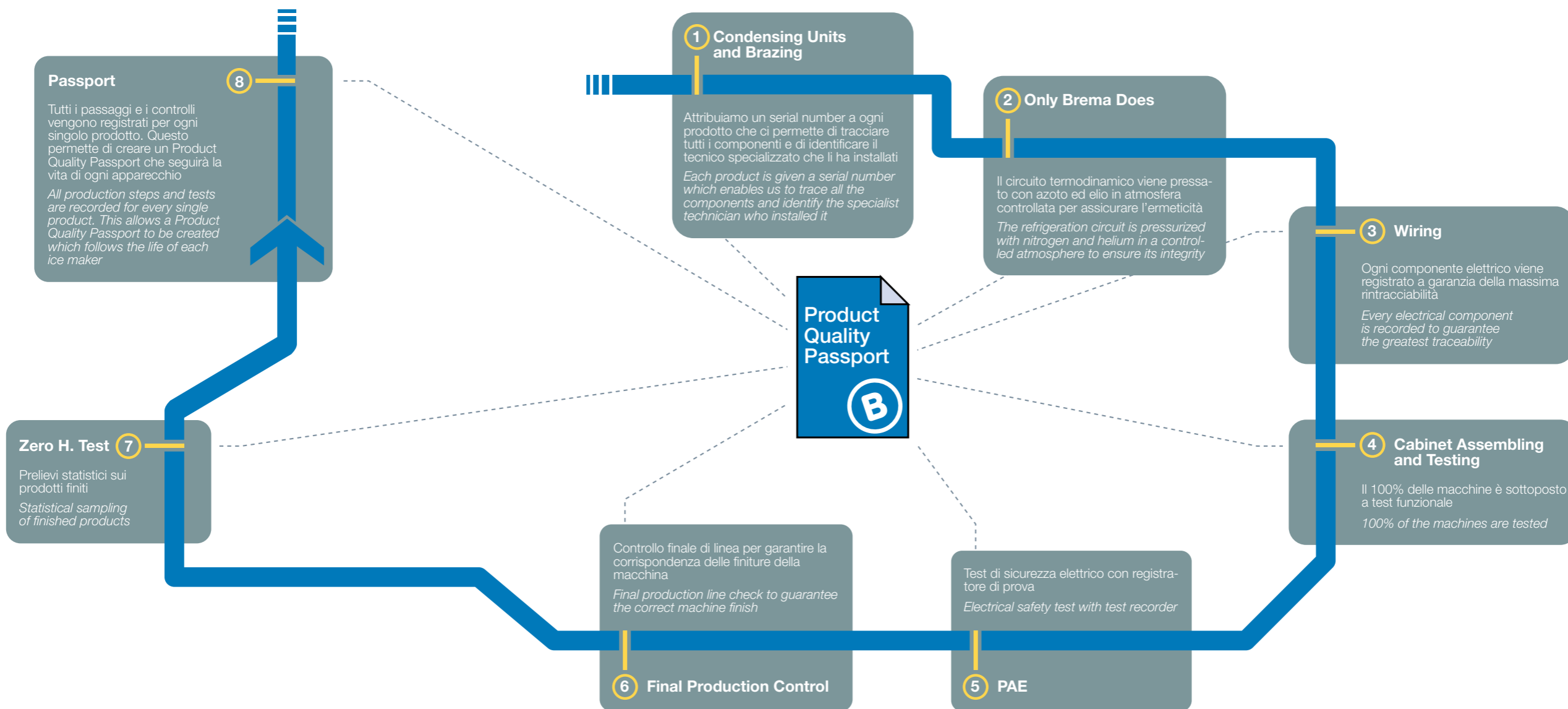
In addition to the CE mark, the full range of our products is certified by TÜV Rheinland allowing our machines to be recognised by international certification bodies.

In addition, our products also carry NSF, ETL Listed Mark, ETL Sanitation Mark, KC, UKR, S-Mark, WRAS and RCM certifications.

All our products are tropical class certified (+43°C).



8 Steps to Quality





Ice Cube



Ice Pebbles



Fast Ice



Ice Flakes



Ice Finger



Ice Scales

Ice Cube



Single cube, compact and crystalline

Is appreciated for the elegant look and for its high performance.

The truncated cone shape with slightly crushed sides make them suitable for all types of glasses. We offer a wide range of machines, from the smallest self-contained units to modular units for large daily productions.

Ice Cube can be ordered in different sizes and weights: 13, 18, 33, 42 and 60 grams. Market choice!

+ [Focus on the ice maker](#)

+ [Go to the model list](#)

[▶ CB Series](#)

[▶ C Series](#)

[▶ Special Series](#)



Ice Cube



Single cube, compact and crystalline

Is appreciated for the elegant look and for its high performance.

The truncated cone shape with slightly crushed sides make them suitable for all types of glasses. We offer a wide range of machines, from the smallest self-contained units to modular units for large daily productions.

Ice Cube can be ordered in different sizes and weights: 13, 18, 33, 42 and 60 grams. Market choice!

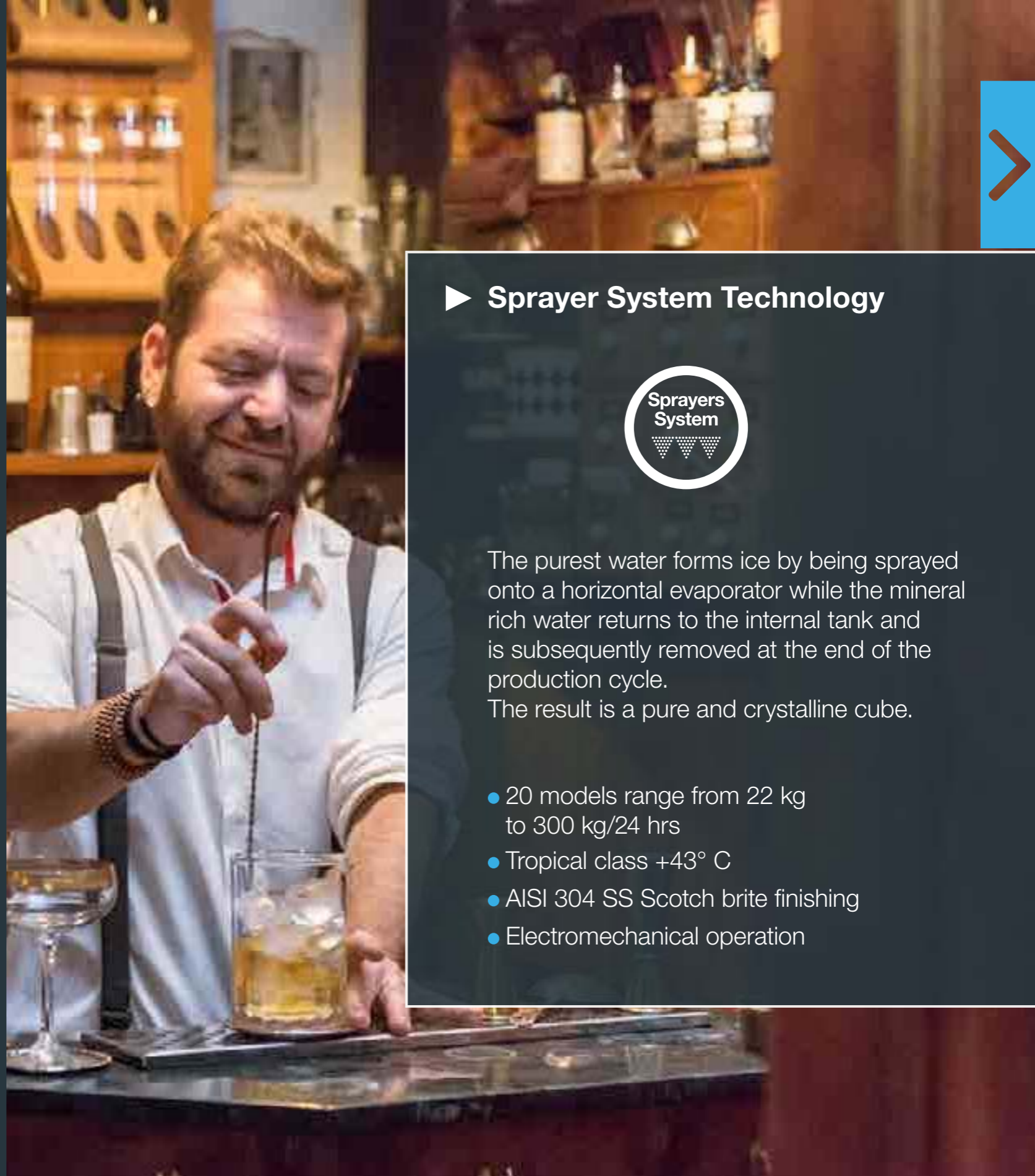
+ Focus on the ice maker

+ Go to the model list

▶ CB Series

▶ C Series

▶ Special Series



▶ Sprayer System Technology



The purest water forms ice by being sprayed onto a horizontal evaporator while the mineral rich water returns to the internal tank and is subsequently removed at the end of the production cycle.

The result is a pure and crystalline cube.

- 20 models range from 22 kg to 300 kg/24 hrs
- Tropical class +43° C
- AISI 304 SS Scotch brite finishing
- Electromechanical operation

Ice Cube maker



- Compact and crystal cube
- + AISI 304 scotch brite
- + Possible ABS finish
- + Tropical class +43°C
- + Adjustable Stainless Steel feet
- + Cleanable antiscaling filter
- + Removable and cleanable air filter
- Air or water cooling system
- + Easy cleanable internal surfaces
- + HCFC-Free insulated storage
- + RoHS Free
- + Disappearing insulated door
- + Electromechanical operation
- + ON-OFF rocker switch
- Standard and special voltages
- + Patented sprayer slide

— Back to the product

+ Go to model list

- ▶ CB Series
- ▶ C Series
- ▶ Special Series

Fast Ice



The single vertical cube

Fresh, light cubes with a truncated pyramid shape and many facets that help cold to the drink.

+ Focus on the ice maker

+ Go to the model list

▶ VB Series

▶ VM Series



Fast Ice



The single vertical cube

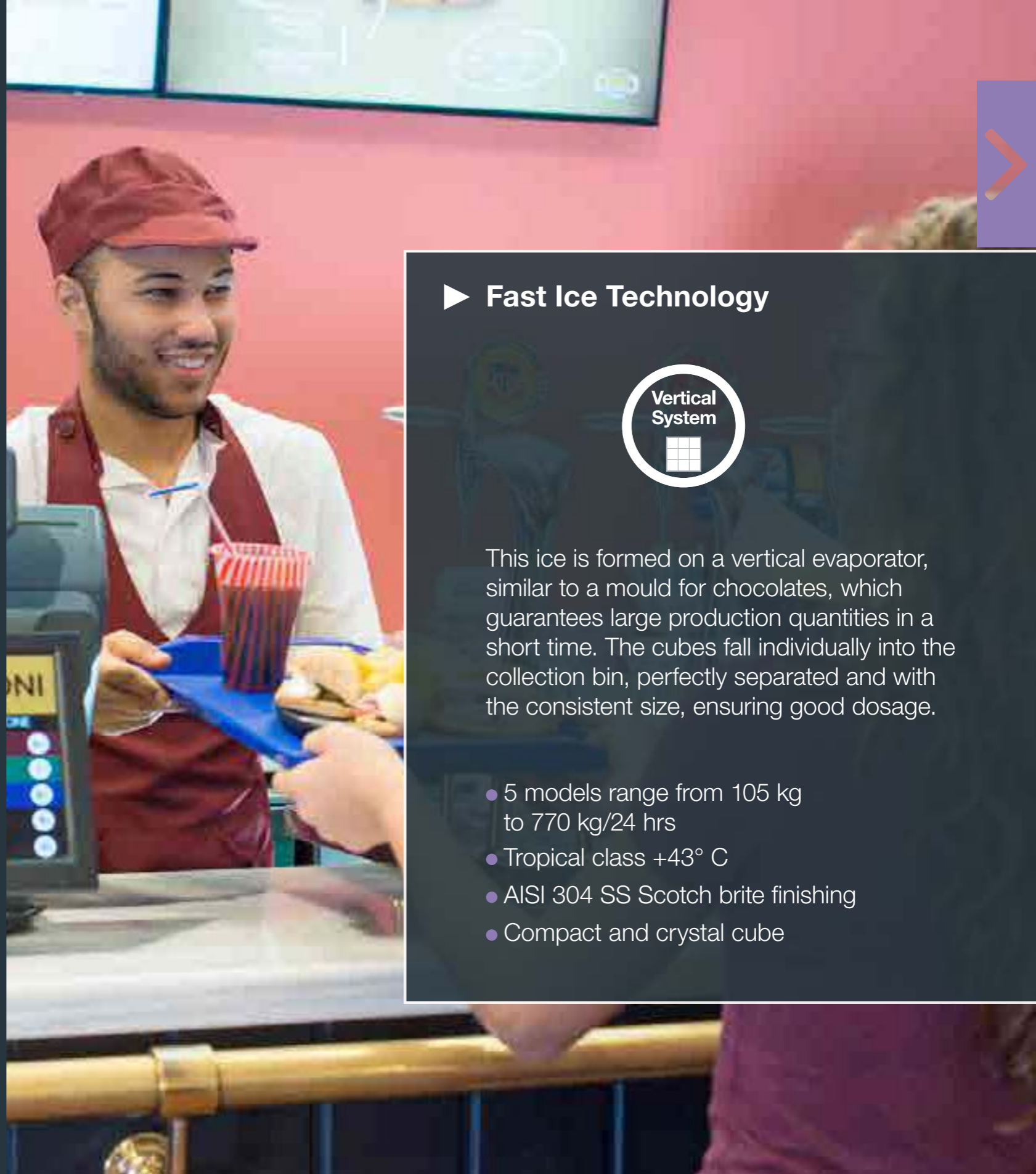
Fresh, light cubes with a truncated pyramid shape and many facets that help cold to the drink.

+ Focus on the ice maker

+ Go to the model list

▶ VB Series

▶ VM Series



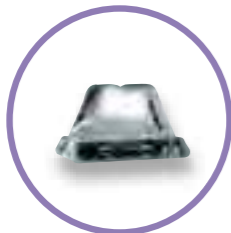
▶ Fast Ice Technology



This ice is formed on a vertical evaporator, similar to a mould for chocolates, which guarantees large production quantities in a short time. The cubes fall individually into the collection bin, perfectly separated and with the consistent size, ensuring good dosage.

- 5 models range from 105 kg to 770 kg/24 hrs
- Tropical class +43° C
- AISI 304 SS Scotch brite finishing
- Compact and crystal cube

Fast Ice maker



- Single and crystal cube
- + AISI 304 scotch brite
- + Tropical class +43°C
- + Adjustable Stainless Steel feet
- + Removable and cleanable air filter
- + Cleanable antiscaling filter
- Air or water cooling system
- Easy cleanable internal surface
- + HCFC-Free insulated storage
- + RoHS Free
- + Disappearing insulated door
- + Electromechanical operation
- + ON-OFF rocker switch
- Standard and special voltages
- + Automatic washing system

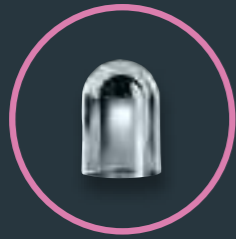
— Back to the product

+ Go to model list

▶ VB Series

▶ VM Series

Ice Finger



A touch of freshness

This cube, with the original thimble shape, cools drinks quickly because of its large surface area. Due to the immersion production system, this ice is particularly suitable in case of hard water.

+ Focus on the ice maker

+ Go to the model list

▶ IMF Series



Ice Finger



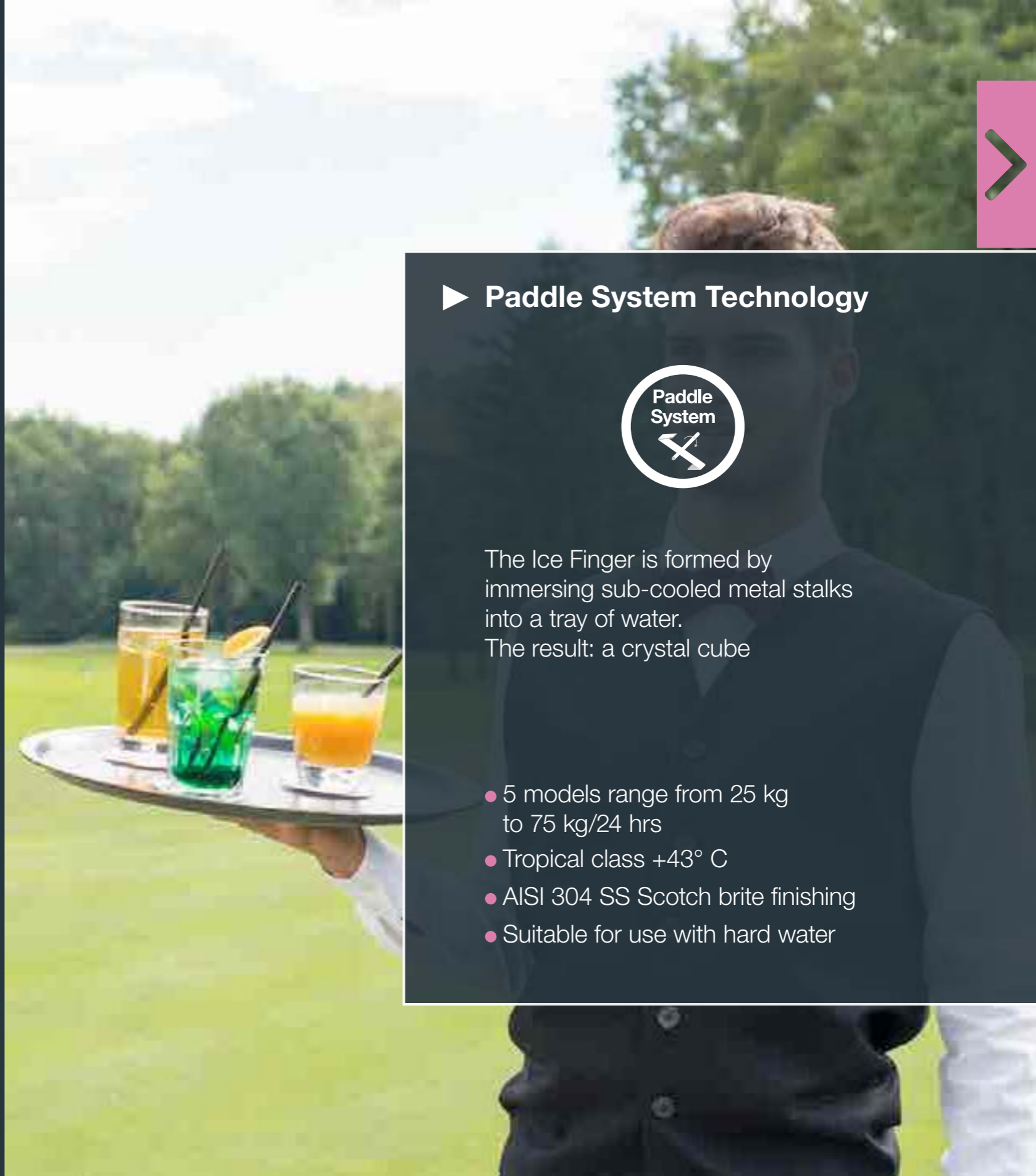
A touch of freshness

This cube, with the original thimble shape, cools drinks quickly because of its large surface area. Due to the immersion production system, this ice is particularly suitable in case of hard water.

+ Focus on the ice maker

+ Go to the model list

▶ IMF Series



▶ Paddle System Technology



The Ice Finger is formed by immersing sub-cooled metal stalks into a tray of water. The result: a crystal cube

- 5 models range from 25 kg to 75 kg/24 hrs
- Tropical class +43° C
- AISI 304 SS Scotch brite finishing
- Suitable for use with hard water



Ice Finger maker



- Hollow cube
- + AISI 304 scotch brite
- + Tropical class +43°C
- + Adjustable Stainless Steel feet
- + Removable and cleanable air filter
- Air or water cooling system
- + Easy cleanable internal surface
- + HCFC-Free insulated storage
- + FDA approved - ABS water basin
- Basin tipping safety system
- + RoHS Free
- + Disappearing insulated door
- + Electromechanical operation
- + ON-OFF rocker switch
- Automatic water charge
- + Standard and special voltages

— Back to the product

+ Go to model list

▶ IMF Series

Ice Pebbles



The multiuse “micro-cube”

This is the eclectic ice of the future and undisputed star of our products.

A micro-cube is the meeting point between fast-ice and the classic flake ice – particularly versatile and suitable

for many uses.

Due to its shape and fast cooling ability, it is ideal for cocktails as well as seafood and buffet presentation.

[+ Focus on the ice maker](#)

[+ Go to the model list](#)

[▶ TB Series](#)

[▶ TM Series](#)



Ice Pebbles



The multiuse “micro-cube”

This is the eclectic ice of the future and undisputed star of our products.

A micro-cube is the meeting point between fast-ice and the classic flake ice – particularly versatile and suitable for many uses.

Due to its shape and fast cooling ability, it is ideal for cocktails as well as seafood and buffet presentation.

[+ Focus on the ice maker](#)

[+ Go to the model list](#)

[▶ TB Series](#)

[▶ TM Series](#)

▶ Pebble System Technology



The combined action of an auger and an extruder allows continuous production in a stable cycle. The reliability of the components ensures low operating costs and high efficiency ice production.

- 7 models range from 55 kg to 440 kg/24 hrs
- Tropical class +43° C
- AISI 304 SS Scotch brite finishing
- Compact pebbles, 91% dry
- 1 l water = 1 kg ice (only air cooled)

[Cover](#)

[About](#)

[Products](#)

[Model series](#)

[Contacts](#)

Ice Pebbles maker



- Pebble ice - hardness 91%
- + 1l (water) - 1kg (ice) - Air cooled
- + AISI 304 SS Scotch brite
- + Tropical class +43°C
- + Adjustable Stainless Steel feet
- + Removable and cleanable air filter
- + 1 m³ = 550 kg of ice
- + AISI 304 SS evaporator
- Air or water cooling system
- + Easy cleanable internal surfaces
- + HCFC-Free insulated storage
- + Dust-proof water basin
- + Frame in INOX
- + RoHS Free
- + Electromechanical operation
- + Disappearing insulated door
- + ON-OFF rocker switch
- Standard and special voltages
- Automatic water charge
- + Rotation sensor

— Back to the product

+ Go to model list

▶ TB Series

▶ TM Series

Ice Flakes



Flexible and decorative ice

Flakes are the real protagonist in the presentation. The main features are its temperature just below 0°C and its malleability, which allows for creativity in display design.

It is used in the retail, Ho. Re.Ca., wellness, sports, medical and fish sectors.

+ Focus on the ice maker

+ Go to the model list

▶ GB Series

▶ G Series



Ice Flakes



Flexible and decorative ice

Flakes are the real protagonist in the presentation. The main features are its temperature just below 0°C and its malleability, which allows for creativity in display design.

It is used in the retail, Ho. Re.Ca., wellness, sports, medical and fish sectors.

+ Focus on the ice maker

+ Go to the model list

▶ GB Series

▶ G Series



▶ Sprayer System Technology



The combination of an auger and an ice-breaker generates grains with irregular shape. The simplicity of the production process allows low operating costs.

- 13 models range from 60 kg to 1,000 kg/24 hrs
- Tropical class +43° C
- AISI 304 SS Scotch brite finishing
- CO₂ application
- 1 l water = 1 kg ice (only air cooled)

Ice Flakes maker



- Granular ice 80-82% dry
- + 1l (water) - 1kg (ice) - Air cooled
- + AISI 304 SS Scotch brite
- + Tropical class +43°C
- + Adjustable Stainless Steel feet
- + Removable and cleanable air filter
- + 1 m³ = 550 kg of ice
- + AISI 304 SS evaporator
- + Easy cleanable internal surfaces
- Air or water cooling system
- + HCFC-Free insulated storage
- + Dust-proof water basin
- + RoHS Free
- + Disappearing insulated door
- + Electromechanical operation
- + ON-OFF rocker switch
- Standard and special voltages
- + Rotation sensor
- Automatic water charge
- + Frame in INOX

— Back to the product

+ Go to model list

▶ GB Series

▶ G Series

Ice Scales



Sub-cooled flakes for long term conservation

Defined by high cooling power, their temperatures change from -5°C to -10°C and thickness from 1.5 mm to 3 mm.

It is a particularly cold ice developed for specific applications like the fishing, chemical, construction, dairy, and meat processing industries.

[+ Focus on the ice maker](#)

[+ Go to the model list](#)

[▶ Muster Series](#)



Ice Scales



Sub-cooled flakes for long term conservation

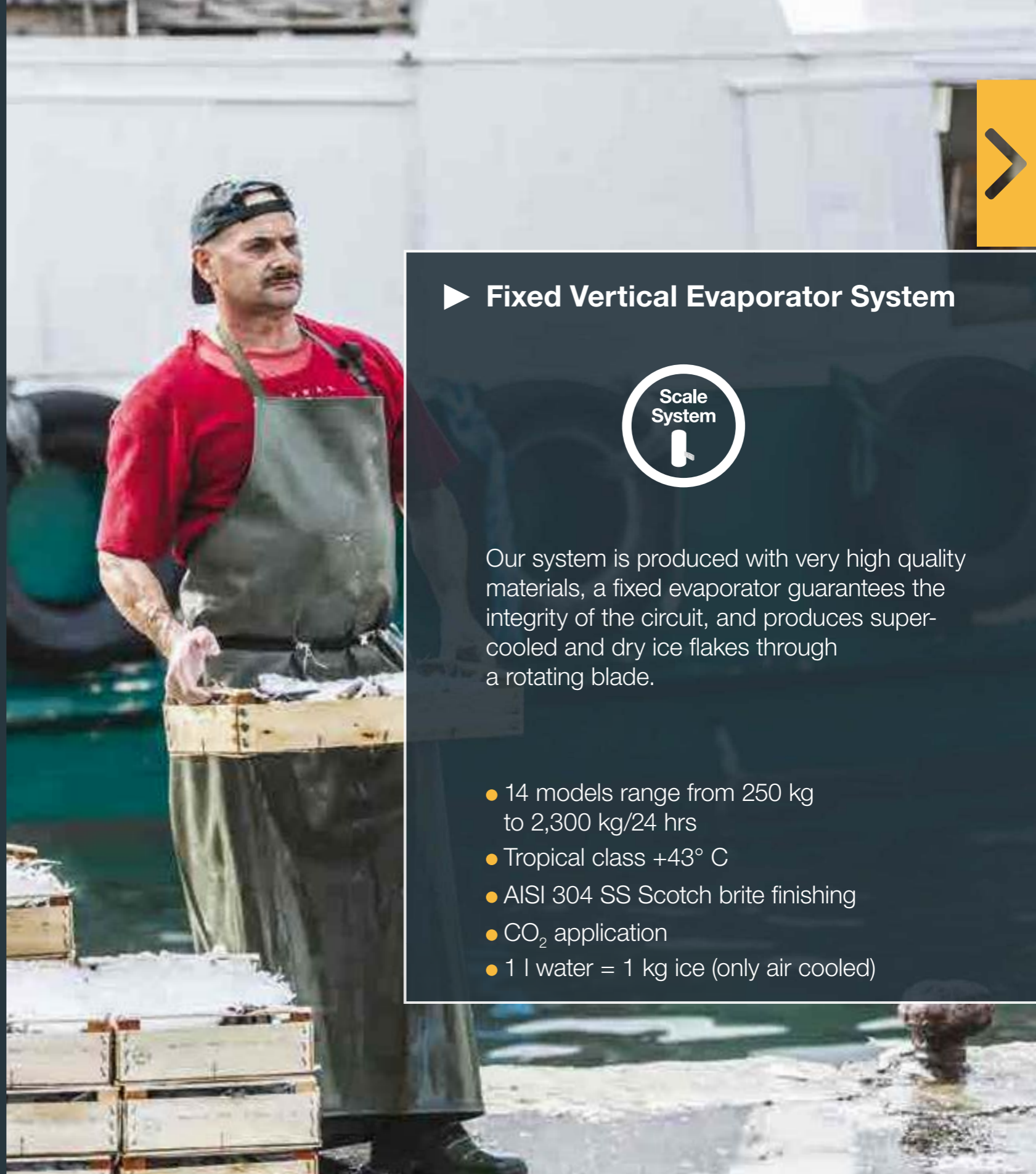
Defined by high cooling power, their temperatures change from -5°C to -10°C and thickness from 1.5 mm to 3 mm.

It is a particularly cold ice developed for specific applications like the fishing, chemical, construction, dairy, and meat processing industries.

+ Focus on the ice maker

+ Go to the model list

► **Muster Series**



► Fixed Vertical Evaporator System



Our system is produced with very high quality materials, a fixed evaporator guarantees the integrity of the circuit, and produces super-cooled and dry ice flakes through a rotating blade.

- 14 models range from 250 kg to 2,300 kg/24 hrs
- Tropical class $+43^{\circ}\text{C}$
- AISI 304 SS Scotch brite finishing
- CO_2 application
- 1 l water = 1 kg ice (only air cooled)

Ice Scales maker



- Sub-cooled scale ice 99% dry
- + 1l (water) - 1kg (ice) - Air cooled
- + AISI 304 SS Scotch brite
- + Tropical class +43°C
- + Vertical fixed "no leak" evaporator
- + Removable and cleanable air filter
- + 1 m³ = 430 kg of ice
- + AISI 304 SS evaporator
- + Cleanable antiscaling filter
- + Anticorrosive alloy evaporator
- Air or water cooling system
- FDA approved - ABS components
- Easy cleanable internal surfaces
- + RoHS Free
- + Electromechanical operation
- Automatic water charge
- + Standard and special voltages
- + Frame in INOX

- Back to the product
- + Go to model list
 - ▶ **Muster Series**



Ice Cube

▶ CB Series

▶ C Series

▶ Special Series



Ice Pebbles

▶ TB Series

▶ TM Series



Fast Ice

▶ VB Series

▶ VM Series



Ice Flakes

▶ GB Series

▶ G Series



Ice Finger

▶ IMF Series



Ice Scales

▶ Muster Series

Ice Bin

▶ Bin Series

Ice Cube



— Back to the model series list

+ Go to the other series

C Series

Special Series

CB Series



Ice Cube



— Back to the model series list

+ Go to the other series

[CB Series](#)

[Special Series](#)

C Series



Ice Cube



— Back to the model series list

+ Go to the other series

CB Series

C Series

Special Series

+ Fresh Maker



+ HIKU 26



+ DSS 42



+ IC 18



+ IC 24



Fast Ice



— Back to the model series list

+ Go to the other series

VM Series

VB Series



Fast Ice



— Back to the model series list

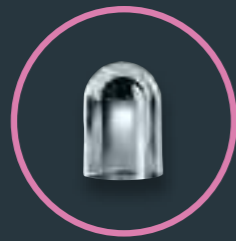
+ Go to the other series

VB Series

VM Series



Ice Finger



[- Back to the model series list](#)

IMF Series



Ice Pebbles



— [Back to the model series list](#)

+ [Go to the other series](#)

[TM Series](#)

TB Series



Ice Pebbles



— [Back to the model series list](#)

+ [Go to the other series](#)

[TB Series](#)

TM Series



Ice Flakes



— Back to the model series list

+ Go to the other series

G Series

GB Series



Ice Flakes



— [Back to the model series list](#)

+ [Go to the other series](#)

[GB Series](#)

G Series



Ice Scales



[- Back to the model series list](#)

Muster Series

+ Muster 250



+ Muster 350



+ Muster 600



+ Muster 800



+ Muster 1500



+ Muster 2000



+ M 350 Split



+ M 600 Split



+ M 600 Split CO₂



+ M 800 Split



+ M 1000 Split CO₂



+ M 1500 Split



+ M 1500 Split CO₂



+ M 2000 Split



Ice Bin

Bin Series

Undercounter ice maker up to 25 kg - Sprayer system

Hotel	
Restaurant	
Fast food	
Bar	
Disco	
Fish market	
Supermarket	
Medical & SPA	
Industry	

► Position n°



► Features & Plus

- Compact and crystal cube
- AISI 304 SS Scotch Brite finish
- Possible ABS finish
- Tropical class +43°C
- Cleanable antiscala filter
- Air or water cooling system
- Easy cleanable internal rounded surfaces
- HCFC-Free insulated storage
- RoHS Free
- Disappearing insulated door
- Electromechanical operation
- ON-OFF rocker switch
- Standard and special voltages
- Patented sprayer slide



Possible ABS finish



Cleanable antiscala filter



Disappearing insulated door



Patented sprayer slide

► Available ice cube size



► Prod. 24h

Air temp.	Water temp.		kg	lbs
	10° C	50° F		
10° C	50° F	10° C	25	55
21° C	70° F	15° C	22	49

2 Years Warranty
subject to limitations

► Certifications available for this model



Undercounter ice maker up to 25 kg - Sprayer system

► Working conditions

- Location: Indoor

	Min	Max
Ambient temperature	+10° C / +50° F	+43° C / 110° F
Water temperature	+3° C / +37° F	+32° C / +90° F
Voltage	-10%	+10%
Water inlet pressure	1bar (14 psi)	6bar (84 psi)

► Performances

Air temperature	Water temperature	Water temperature					
		10° C	50° F	15° C	60° F	21° C	70° F
10° C	25 kg						
50° F	55 lbs						
21° C			22 kg				
70° F			49 lbs				
32° C					18 kg		
90° F					40 lbs		

► Connections

All measures are referred to the rear bottom-left corner (L-H-Ø)

- ① Water in.: 88 mm / 3 7/16" - 184 mm / 7 4/16" - 3/4"
- ② Water out.: 45 mm / 1 12/16" - 138 mm / 5 7/16" - 24 mm / 15/16"
- ③ Electrical connections: 41 mm / 1 10/16" - 73 mm / 2 14/16"

► Technical information

Production in 24h	22 kg / 49 lbs	Water consumption	A: 4,5 l/kg - 53,9 gal/100 lbs
Store capacity, up to	4 kg / 9 lbs		W: 20 l/kg - 239,7 gal/100 lbs
Cooling system	A - W	Sizes (L-P-H mm)	355 - 404 - 590
Kind of cube	D-13g	(L-P-H in)	14 - 15 14/16 - 23 4/16
Refrigerant		Sizes with pack (L-P-H mm)	415 - 445 - 780
Standard voltage	220-240 V ~ 50 Hz	(L-P-H in)	16 5/16 - 17 8/16 - 30 11/16
Electrical consumption	320 W	Net weight	27,5 kg / 61 lbs
Fuse	10 A	Gross weight	34 kg / 75 lbs
Finish	AISI 304 stainless steel, scotch brite - ABS blue or grey		

All the technical information must be considered at the following conditions:
 Sizes without feet
 Standard Cube (13 g)
 Ambient temperature +21° C
 Water temperature +15° C
 Electrical consumption at +43° C (standard voltage)

Models and specifications are subject to change without notice

Rev. 01 - Issued January 2016

Undercounter ice maker up to 30 kg - Sprayer system

Hotel	
Restaurant	
Fast food	
Bar	
Disco	
Fish market	
Supermarket	
Medical & SPA	
Industry	

► Position n°



► Features & Plus

- Compact and crystal cube
- AISI 304 SS Scotch Brite finish
- Tropical class +43°C
- Removable and cleanable air filter
- Air or water cooling system
- Easy cleanable internal rounded surfaces
- HCFC-Free insulated storage
- RoHS Free
- Disappearing insulated door
- Electromechanical operation
- ON-OFF rocker switch
- Standard and special voltages



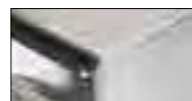
AISI 304 SS Scotch Brite finish



Removable and cleanable air filter

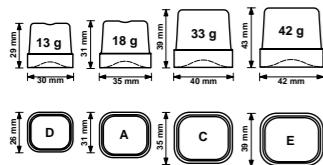


Easy cleanable internal rounded surfaces



Disappearing insulated door

► Available ice cube size



► Prod. 24h

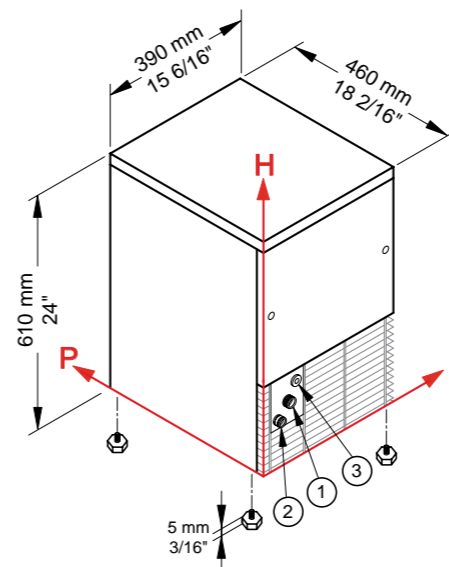
Air temp.	Water temp.		kg	lbs
	10° C	50° F		
10° C	50° F	10° C	30	66
21° C	70° F	15° C	26	57

2 Years Warranty
subject to limitations

► Certifications available for this model



Undercounter ice maker up to 30 kg - Sprayer system



► Working conditions

- Location: Indoor

	Min	Max
Ambient temperature	+10° C / +50° F	+43° C / 110° F
Water temperature	+3° C / +37° F	+32° C / +90° F
Voltage	-10%	+10%
Water inlet pressure	1bar (14 psi)	6bar (84 psi)

► Performances

Air temperature	Water temperature	Water temperature				
		10° C	50° F	15° C	60° F	21° C
10° C	30 kg					
50° F	66 lbs					
21° C			26 kg			
70° F			57 lbs			
32° C					22 kg	
90° F					49 lbs	

► Connections

All measures are referred to the rear bottom-left corner (L-H-Ø)

- ① Water in.: 111 mm / 4 6/16" - 175 mm / 6 14/16" - 3/4"
- ② Water out.: 49 mm / 1 15/16" - 130 mm / 5 2/16" - 24 mm / 15/16"
- ③ Electrical connections: 156 mm / 6 2/16" - 211 mm / 8 5/16"

► Technical information

Production in 24h	26 kg / 57 lbs	Water consumption	A: 5,1 l/kg - 61,1 gal/100 lbs
Store capacity, up to	6 kg / 13 lbs		W: 14 l/kg - 167,8 gal/100 lbs
Cooling system	A - W	Sizes (L-P-H mm)	390 - 460 - 610
Kind of cube	A-18g, C-33g, D-13g, E-42g	(L-P-H in)	15 6/16 - 18 2/16 - 24
Refrigerant	R404A	Sizes with pack (L-P-H mm)	440 - 520 - 800
Standard voltage	220-240 V ~ 50 Hz	(L-P-H in)	17 5/16 - 20 8/16 - 31 8/16
Electrical consumption	350 W	Net weight	35 kg / 77 lbs
Fuse	10 A	Gross weight	41 kg / 90 lbs
Finish	AISI 304 stainless steel, scotch brite		

All the technical information must be considered at the following conditions:
 Sizes without feet
 Standard Cube (18 g)
 Ambient temperature +21° C
 Water temperature +15° C
 Electrical consumption at +43° C (standard voltage)

Models and specifications are subject to change without notice

Rev. 01 - Issued January 2016

Undercounter ice maker up to 34 kg - Sprayer system

Hotel	
Restaurant	
Fast food	
Bar	
Disco	
Fish market	
Supermarket	
Medical & SPA	
Industry	

► Position n°



► Features & Plus

- Compact and crystal cube
- AISI 304 SS Scotch Brite finish
- Tropical class +43°C
- Removable and cleanable air filter
- Air or water cooling system
- Easy cleanable internal rounded surfaces
- HCFC-Free insulated storage
- RoHS Free
- Disappearing insulated door
- Electromechanical operation
- ON-OFF rocker switch
- Standard and special voltages



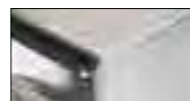
AISI 304 SS Scotch Brite finish



Removable and cleanable air filter

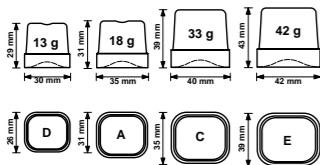


Easy cleanable internal rounded surfaces



Disappearing insulated door

► Available ice cube size



► Prod. 24h

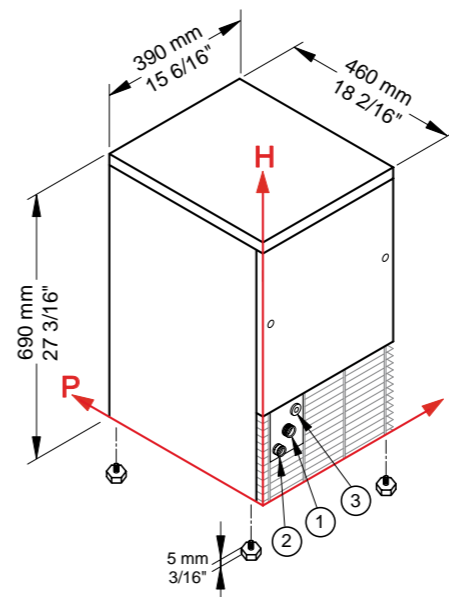
Air temp.	Water temp.		kg	lbs
	10° C	50° F		
10° C	50° F	10° C	34	75
21° C	70° F	15° C	29	64

2 Years Warranty
subject to limitations

► Certifications available for this model



Undercounter ice maker up to 34 kg - Sprayer system



► Working conditions

- Location: Indoor

	Min	Max
Ambient temperature	+10° C / +50° F	+43° C / 110° F
Water temperature	+3° C / +37° F	+32° C / +90° F
Voltage	-10%	+10%
Water inlet pressure	1bar (14 psi)	6bar (84 psi)

► Performances

Air temperature	Water temperature	Water temperature				
		10° C	50° F	15° C	60° F	21° C
10° C	34 kg					
50° F	75 lbs					
21° C			29 kg			
70° F			64 lbs			
32° C				26 kg		
90° F					57 lbs	

► Connections

All measures are referred to the rear bottom-left corner (L-H-Ø)

- ① Water in.: 111 mm / 4 6/16" - 175 mm / 6 14/16" - 3/4"
- ② Water out.: 49 mm / 1 15/16" - 130 mm / 5 2/16" - 24 mm / 15/16"
- ③ Electrical connections: 156 mm / 6 2/16" - 211 mm / 8 5/16"

► Technical information

Production in 24h	29 kg / 64 lbs	Water consumption	A: 5,1 l/kg - 61,1 gal/100 lbs
Store capacity, up to	9 kg / 20 lbs		W: 14 l/kg - 167,8 gal/100 lbs
Cooling system	A - W	Sizes (L-P-H mm)	390 - 460 - 690
Kind of cube	A-18g, C-33g, D-13g, E-42g	(L-P-H in)	15 6/16 - 18 2/16 - 27 3/16
Refrigerant	R404A	Sizes with pack (L-P-H mm)	440 - 520 - 880
Standard voltage	220-240 V ~ 50 Hz	(L-P-H in)	17 5/16 - 20 8/16 - 34 10/16
Electrical consumption	370 W	Net weight	37 kg / 82 lbs
Fuse	10 A	Gross weight	44 kg / 97 lbs
Finish	AISI 304 stainless steel, scotch brite		

All the technical information must be considered at the following conditions:
 Sizes without feet
 Standard Cube (18 g)
 Ambient temperature +21° C
 Water temperature +15° C
 Electrical consumption at +43° C (standard voltage)

Models and specifications are subject to change without notice

Rev. 01 - Issued January 2016

Undercounter ice maker up to 42 kg - Sprayer system

Hotel	
Restaurant	
Fast food	
Bar	
Disco	
Fish market	
Supermarket	
Medical & SPA	
Industry	

► Position n°



► Features & Plus

- Compact and crystal cube
- AISI 304 SS Scotch Brite finish
- Tropical class +43°C
- Adjustable Stainless Steel feet
- Removable and cleanable air filter
- Air or water cooling system
- Easy cleanable internal rounded surfaces
- HCFC-Free insulated storage
- RoHS Free
- Disappearing insulated door
- Electromechanical operation
- ON-OFF rocker switch
- Standard and special voltages



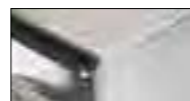
AISI 304 SS Scotch Brite finish



Adjustable Stainless Steel feet

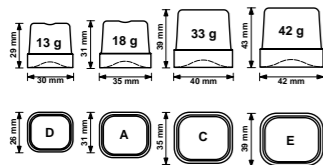


Removable and cleanable air filter



Disappearing insulated door

► Available ice cube size



► Prod. 24h

Air temp.	Water temp.		kg	lbs
	10° C	50° F		
10° C	50° F	10° C	42	93
21° C	70° F	15° C	35	77

2 Years Warranty
subject to limitations

► Certifications available for this model



Undercounter ice maker up to 42 kg - Sprayer system

► Working conditions

- Location: Indoor

	Min	Max
Ambient temperature	+10° C / +50° F	+43° C / 110° F
Water temperature	+3° C / +37° F	+32° C / +90° F
Voltage	-10%	+10%
Water inlet pressure	1bar (14 psi)	6bar (84 psi)

► Performances

Air temperature	Water temperature	Water temperature				
		10° C	50° F	15° C	60° F	21° C
10° C	42 kg					
50° F	93 lbs					
21° C			35 kg			
70° F			77 lbs			
32° C				33 kg		
90° F					73 lbs	

► Connections

All measures are referred to the rear bottom-left corner (L-H-Ø)

- ① Water in.: 111 mm / 4 6/16" - 196 mm / 7 11/16" - 3/4"
- ② Water out.: 49 mm / 1 15/16" - 151 mm / 5 15/16" - 24 mm / 15/16"
- ③ Electrical connections: 156 mm / 6 2/16" - 232 mm / 9 2/16"

► Technical information

Production in 24h	35 kg / 77 lbs	Water consumption	A: 3,3 l/kg - 39,5 gal/100 lbs
Store capacity, up to	16 kg / 35 lbs		W: 13 l/kg - 155,8 gal/100 lbs
Cooling system	A - W	Sizes (L-P-H mm)	500 - 580 - 690
Kind of cube	A-18g, C-33g, D-13g, E-42g	(L-P-H in)	19 11/16 - 22 13/16 - 27 3/16
Refrigerant	R404A	Sizes with pack (L-P-H mm)	550 - 630 - 880
Standard voltage	220-240 V ~ 50 Hz	(L-P-H in)	21 10/16 - 24 13/16 - 34 10/16
Electrical consumption	370 W	Net weight	48 kg / 106 lbs
Fuse	10 A	Gross weight	56 kg / 123 lbs
Finish	AISI 304 stainless steel, scotch brite		

All the technical information must be considered at the following conditions:
 Sizes without feet
 Standard Cube (18 g)
 Ambient temperature +21° C
 Water temperature +15° C
 Electrical consumption at +43° C (standard voltage)

Models and specifications are subject to change without notice

Rev. 01 - Issued January 2016

Undercounter ice maker up to 48 kg - Sprayer system

Hotel	■
Restaurant	■
Fast food	■
Bar	■
Disco	■
Fish market	■
Supermarket	■
Medical & SPA	■
Industry	■

► Position n°



► Features & Plus

- Compact and crystal cube
- AISI 304 SS Scotch Brite finish
- Tropical class +43°C
- Adjustable Stainless Steel feet
- Removable and cleanable air filter
- Air or water cooling system
- Easy cleanable internal rounded surfaces
- HCFC-Free insulated storage
- RoHS Free
- Disappearing insulated door
- Electromechanical operation
- ON-OFF rocker switch
- Standard and special voltages



AISI 304 SS Scotch Brite finish



Adjustable Stainless Steel feet

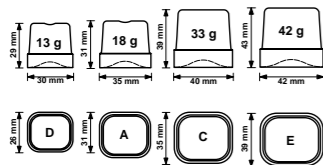


Removable and cleanable air filter



Disappearing insulated door

► Available ice cube size



► Prod. 24h

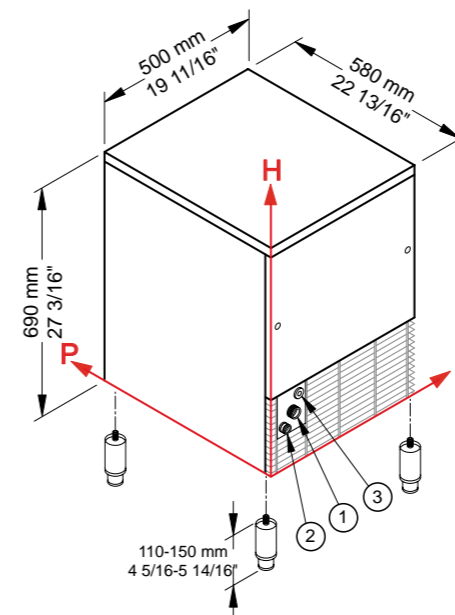
Air temp.	Water temp.		kg	lbs
	10° C	50° F		
10° C	50° F	10° C	48	106
21° C	70° F	15° C	44	97

2 Years Warranty
subject to limitations

► Certifications available for this model



Undercounter ice maker up to 48 kg - Sprayer system



► Working conditions

- Location: Indoor

	Min	Max
Ambient temperature	+10° C / +50° F	+43° C / 110° F
Water temperature	+3° C / +37° F	+32° C / +90° F
Voltage	-10%	+10%
Water inlet pressure	1bar (14 psi)	6bar (84 psi)

► Performances

Air temperature	Water temperature	Water temperature				
		10° C	50° F	15° C	60° F	21° C
10° C	48 kg					
50° F	106 lbs					
21° C			44 kg			
70° F			97 lbs			
32° C				40 kg		
90° F					88 lbs	

► Connections

All measures are referred to the rear bottom-left corner (L-H-Ø)

- ① Water in.: 111 mm / 4 6/16" - 196 mm / 7 11/16" - 3/4"
- ② Water out.: 49 mm / 1 15/16" - 151 mm / 5 15/16" - 24 mm / 15/16"
- ③ Electrical connections: 156 mm / 6 2/16" - 232 mm / 9 2/16"

► Technical information

Production in 24h	44 kg / 97 lbs	Water consumption	A: 4 l/kg - 47,9 gal/100 lbs
Store capacity, up to	16 kg / 35 lbs		W: 15 l/kg - 179,7 gal/100 lbs
Cooling system	A - W	Sizes (L-P-H mm)	500 - 580 - 690
Kind of cube	A-18g, C-33g, D-13g, E-42g	(L-P-H in)	19 11/16 - 22 13/16 - 27 3/16
Refrigerant	R404A	Sizes with pack (L-P-H mm)	550 - 630 - 880
Standard voltage	220-240 V ~ 50 Hz	(L-P-H in)	21 10/16 - 24 13/16 - 34 10/16
Electrical consumption	450 W	Net weight	52 kg / 115 lbs
Fuse	10 A	Gross weight	60 kg / 132 lbs
Finish	AISI 304 stainless steel, scotch brite		

All the technical information must be considered at the following conditions:
 Sizes without feet
 Standard Cube (18 g)
 Ambient temperature +21° C
 Water temperature +15° C
 Electrical consumption at +43° C (standard voltage)

Models and specifications are subject to change without notice

Rev. 01 - Issued January 2016

Undercounter ice maker up to 49 kg - Sprayer system

Hotel	
Restaurant	
Fast food	
Bar	
Disco	
Fish market	
Supermarket	
Medical & SPA	
Industry	

► Position n°



► Features & Plus

- Compact and crystal cube
- AISI 304 SS Scotch Brite finish
- Tropical class +43°C
- Adjustable Stainless Steel feet
- Removable and cleanable air filter
- Air or water cooling system
- Easy cleanable internal rounded surfaces
- HCFC-Free insulated storage
- RoHS Free
- Disappearing insulated door
- Electromechanical operation
- ON-OFF rocker switch
- Standard and special voltages



AISI 304 SS Scotch Brite finish



Adjustable Stainless Steel feet

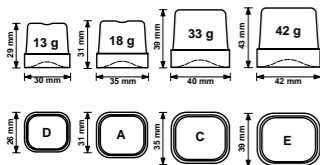


Removable and cleanable air filter



Disappearing insulated door

► Available ice cube size



► Prod. 24h

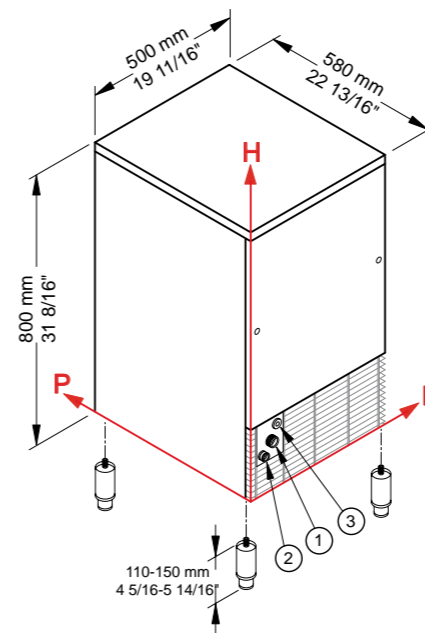
Air temp.	Water temp.		kg	lbs
	10° C	50° F		
10° C	50° F	10° C	49	108
21° C	70° F	15° C	47	104

2 Years Warranty
subject to limitations

► Certifications available for this model



Undercounter ice maker up to 49 kg - Sprayer system



► Working conditions

- Location: Indoor

	Min	Max
Ambient temperature	+10° C / +50° F	+43° C / 110° F
Water temperature	+3° C / +37° F	+32° C / +90° F
Voltage	-10%	+10%
Water inlet pressure	1bar (14 psi)	6bar (84 psi)

► Performances

Air temperature		Water temperature				
		10° C	50° F	15° C	60° F	21° C
10° C	49 kg					
50° F	108 lbs					
21° C			47 kg			
70° F			104 lbs			
32° C				40 kg		
90° F					88 lbs	

► Connections

All measures are referred to the rear bottom-left corner (L-H-Ø)

- ① Water in.: 111 mm / 4 6/16" - 196 mm / 7 11/16" - 3/4"
- ② Water out.: 49 mm / 1 15/16" - 151 mm / 5 15/16" - 24 mm / 15/16"
- ③ Electrical connections: 156 mm / 6 2/16" - 232 mm / 9 2/16"

► Technical information

Production in 24h	47 kg / 104 lbs	Water consumption	A: 4 l/kg - 47,9 gal/100 lbs
Store capacity, up to	25 kg / 55 lbs		W: 14 l/kg - 167,8 gal/100 lbs
Cooling system	A - W	Sizes (L-P-H mm)	500 - 580 - 800
Kind of cube	A-18g, C-33g, D-13g, E-42g	(L-P-H in)	19 11/16 - 22 13/16 - 31 8/16
Refrigerant	R404A	Sizes with pack (L-P-H mm)	550 - 630 - 990
Standard voltage	220-240 V ~ 50 Hz	(L-P-H in)	21 10/16 - 24 13/16 - 39
Electrical consumption	500 W	Net weight	56 kg / 123 lbs
Fuse	10 A	Gross weight	64 kg / 141 lbs
Finish	AISI 304 stainless steel, scotch brite		

All the technical information must be considered at the following conditions:
 Sizes without feet
 Standard Cube (18 g)
 Ambient temperature +21° C
 Water temperature +15° C
 Electrical consumption at +43° C (standard voltage)

Models and specifications are subject to change without notice

Rev. 01 - Issued January 2016

Undercounter ice maker up to 75 kg - Sprayer system

Hotel	
Restaurant	
Fast food	
Bar	
Disco	
Fish market	
Supermarket	
Medical & SPA	
Industry	

► Position n°



► Features & Plus

- Compact and crystal cube
- AISI 304 SS Scotch Brite finish
- Tropical class +43°C
- Adjustable Stainless Steel feet
- Removable and cleanable air filter
- Air or water cooling system
- Easy cleanable internal rounded surfaces
- HCFC-Free insulated storage
- RoHS Free
- Disappearing insulated door
- Electromechanical operation
- ON-OFF rocker switch
- Standard and special voltages



AISI 304 SS Scotch Brite finish



Adjustable Stainless Steel feet

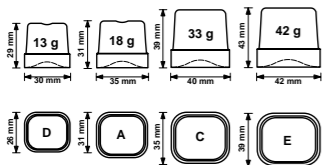


Removable and cleanable air filter



Disappearing insulated door

► Available ice cube size



► Prod. 24h

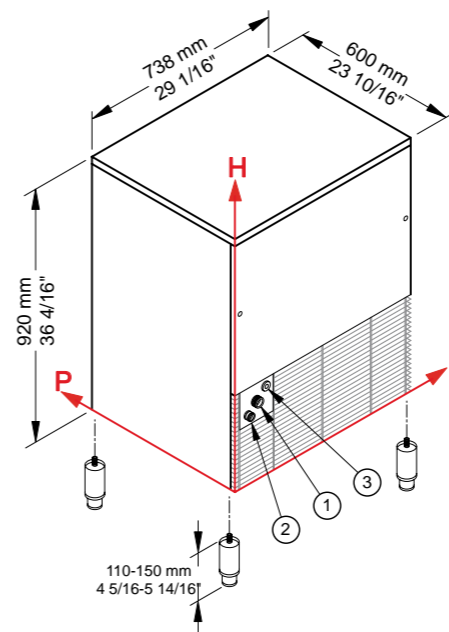
Air temp.	Water temp.		kg	lbs
	10° C	50° F		
10° C	50° F	10° C	75	165
21° C	70° F	15° C	67	148

2 Years Warranty
subject to limitations

► Certifications available for this model



Undercounter ice maker up to 75 kg - Sprayer system



► Working conditions

- Location: Indoor

	Min	Max
Ambient temperature	+10° C / +50° F	+43° C / 110° F
Water temperature	+3° C / +37° F	+32° C / +90° F
Voltage	-10%	+10%
Water inlet pressure	1bar (14 psi)	6bar (84 psi)

► Performances

Air temperature	Water temperature	Water temperature				
		10° C	50° F	15° C	60° F	21° C
10° C	75 kg					
50° F	165 lbs					
21° C			67 kg			
70° F			148 lbs			
32° C				56 kg		
90° F					123 lbs	

► Connections

All measures are referred to the rear bottom-left corner (L-H-Ø)

- ① Water in.: 116 mm / 4 9/16" - 285 mm / 11 4/16" - 3/4"
- ② Water out.: 54 mm / 2 2/16" - 245 mm / 9 10/16" - 24 mm / 15/16"
- ③ Electrical connections: 161 mm / 6 5/16" - 321 mm / 12 10/16"

► Technical information

Production in 24h	67 kg / 148 lbs	Water consumption	A: 2,8 l/kg - 33,6 gal/100 lbs
Store capacity, up to	40 kg / 88 lbs		W: 12,8 l/kg - 153,4 gal/100 lbs
Cooling system	A - W	Sizes (L-P-H mm)	738 - 600 - 920
Kind of cube	A-18g, C-33g, D-13g, E-42g	(L-P-H in)	29 1/16 - 23 10/16 - 36 4/16
Refrigerant	R404A	Sizes with pack (L-P-H mm)	780 - 640 - 1085
Standard voltage	220-240 V ~ 50 Hz	(L-P-H in)	30 11/16 - 25 3/16 - 42 11/16
Electrical consumption	650 W	Net weight	77 kg / 170 lbs
Fuse	10 A	Gross weight	89 kg / 196 lbs
Finish	AISI 304 stainless steel, scotch brite		

All the technical information must be considered at the following conditions:
 Sizes without feet
 Standard Cube (18 g)
 Ambient temperature +21° C
 Water temperature +15° C
 Electrical consumption at +43° C (standard voltage)

Models and specifications are subject to change without notice

Rev. 01 - Issued January 2016

Undercounter ice maker up to 75 kg - Sprayer system

Hotel	
Restaurant	
Fast food	
Bar	
Disco	
Fish market	
Supermarket	
Medical & SPA	
Industry	

► Position n°



► Features & Plus

- Compact and crystal cube
- AISI 304 SS Scotch Brite finish
- Tropical class +43°C
- Adjustable Stainless Steel feet
- Removable and cleanable air filter
- Air or water cooling system
- Easy cleanable internal rounded surfaces
- HCFC-Free insulated storage
- RoHS Free
- Disappearing insulated door
- Electromechanical operation
- ON-OFF rocker switch
- Standard and special voltages



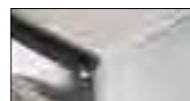
AISI 304 SS Scotch Brite finish



Adjustable Stainless Steel feet

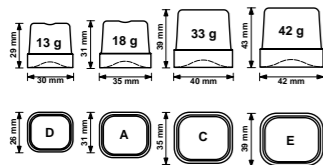


Removable and cleanable air filter



Disappearing insulated door

► Available ice cube size



► Prod. 24h

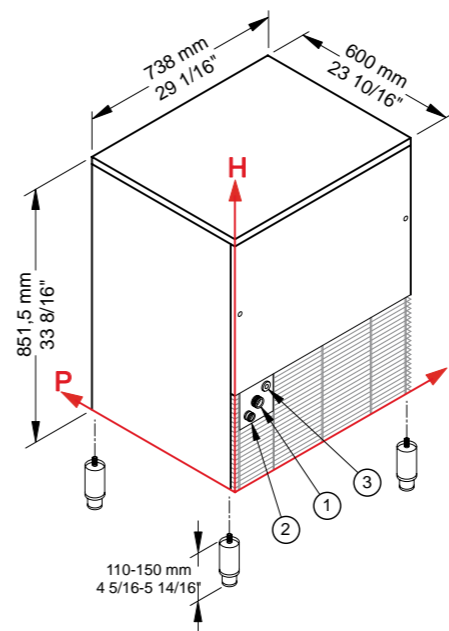
Air temp.	Water temp.		kg	lbs
	10° C	50° F		
10° C	50° F	10° C	75	165
21° C	70° F	15° C	67	148

2 Years Warranty
subject to limitations

► Certifications available for this model



Undercounter ice maker up to 75 kg - Sprayer system



► Working conditions

- Location: Indoor

	Min	Max
Ambient temperature	+10° C / +50° F	+43° C / 110° F
Water temperature	+3° C / +37° F	+32° C / +90° F
Voltage	-10%	+10%
Water inlet pressure	1bar (14 psi)	6bar (84 psi)

► Performances

Air temperature	Water temperature	Water temperature				
		10° C	50° F	15° C	60° F	21° C
10° C	75 kg					
50° F	165 lbs					
21° C			67 kg			
70° F			148 lbs			
32° C				56 kg		
90° F					123 lbs	

► Connections

All measures are referred to the rear bottom-left corner (L-H-Ø)

- ① Water in.: 116 mm / 4 9/16" - 220 mm / 8 11/16" - 3/4"
- ② Water out.: 54 mm / 2 2/16" - 180 mm / 7 1/16" - 24 mm / 15/16"
- ③ Electrical connections: 161 mm / 6 5/16" - 256 mm / 10 1/16"

► Technical information

Production in 24h	67 kg / 148 lbs	Water consumption	A: 2,8 l/kg - 33,6 gal/100 lbs
Store capacity, up to	40 kg / 88 lbs		W: 12,8 l/kg - 153,4 gal/100 lbs
Cooling system	A - W	Sizes (L-P-H mm)	738 - 600 - 851,5
Kind of cube	A-18g, C-33g, D-13g, E-42g	(L-P-H in)	29 1/16 - 23 10/16 - 33 8/16
Refrigerant	R404A	Sizes with pack (L-P-H mm)	780 - 640 - 1015
Standard voltage	220-240 V ~ 50 Hz	(L-P-H in)	30 11/16 - 25 3/16 - 39 15/16
Electrical consumption		Net weight	72 kg / 159 lbs
Fuse	10 A	Gross weight	84 kg / 185 lbs
Finish	AISI 304 stainless steel, scotch brite		

All the technical information must be considered at the following conditions:
 Sizes without feet
 Standard Cube (18 g)
 Ambient temperature +21° C
 Water temperature +15° C
 Electrical consumption at +43° C (standard voltage)

Models and specifications are subject to change without notice

Rev. 01 - Issued January 2016

Undercounter ice maker up to 90 kg - Sprayer system

Hotel	
Restaurant	
Fast food	
Bar	
Disco	
Fish market	
Supermarket	
Medical & SPA	
Industry	

► Position n°



► Features & Plus

- Compact and crystal cube
- AISI 304 SS Scotch Brite finish
- Tropical class +43°C
- Adjustable Stainless Steel feet
- Removable and cleanable air filter
- Air or water cooling system
- Easy cleanable internal rounded surfaces
- HCFC-Free insulated storage
- RoHS Free
- Disappearing insulated door
- Electromechanical operation
- ON-OFF rocker switch
- Standard and special voltages



AISI 304 SS Scotch Brite finish



Adjustable Stainless Steel feet

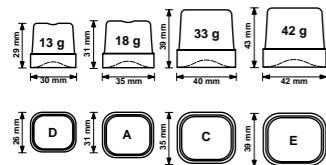


Removable and cleanable air filter



Disappearing insulated door

► Available ice cube size



► Prod. 24h

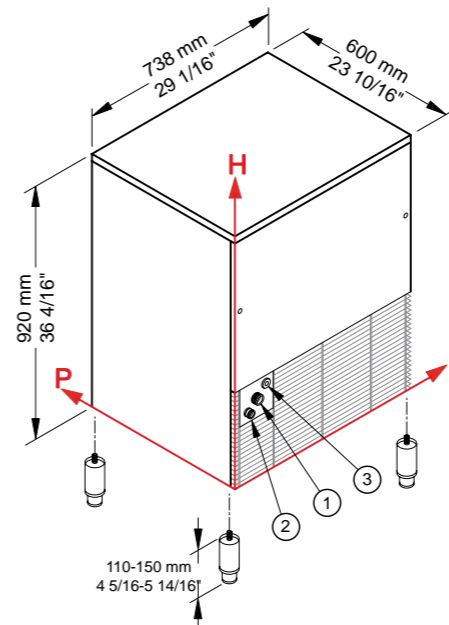
Air temp.	Water temp.		kg	lbs
	10° C	50° F		
10° C	50° F	10° C	90	198
21° C	70° F	15° C	85	187

2 Years Warranty
subject to limitations

► Certifications available for this model



Undercounter ice maker up to 90 kg - Sprayer system



► Working conditions

- Location: Indoor

	Min	Max
Ambient temperature	+10° C / +50° F	+43° C / 110° F
Water temperature	+3° C / +37° F	+32° C / +90° F
Voltage	-10%	+10%
Water inlet pressure	1bar (14 psi)	6bar (84 psi)

► Performances

Air temperature	Water temperature	Water temperature				
		10° C	50° F	15° C	60° F	21° C
10° C	90 kg					
50° F	198 lbs					
21° C			85 kg			
70° F			187 lbs			
32° C				78 kg		
90° F					172 lbs	

► Connections

All measures are referred to the rear bottom-left corner (L-H-Ø)

- ① Water in.: 116 mm / 4 9/16" - 285 mm / 11 4/16" - 3/4"
- ② Water out.: 54 mm / 2 2/16" - 245 mm / 9 10/16" - 24 mm / 15/16"
- ③ Electrical connections: 161 mm / 6 5/16" - 321 mm / 12 10/16"

► Technical information

Production in 24h	85 kg / 187 lbs	Water consumption	A: 2,6 l/kg - 31,1 gal/100 lbs
Store capacity, up to	40 kg / 88 lbs		W: 14,4 l/kg - 172,6 gal/100 lbs
Cooling system	A - W	Sizes (L-P-H mm)	738 - 600 - 920
Kind of cube	A-18g, C-33g, D-13g, E-42g	(L-P-H in)	29 1/16 - 23 10/16 - 36 4/16
Refrigerant	R404A	Sizes with pack (L-P-H mm)	780 - 640 - 1085
Standard voltage	220-240 V ~ 50 Hz	(L-P-H in)	30 11/16 - 25 3/16 - 42 11/16
Electrical consumption	800 W	Net weight	86 kg / 190 lbs
Fuse	10 A	Gross weight	98 kg / 216 lbs
Finish	AISI 304 stainless steel, scotch brite		

All the technical information must be considered at the following conditions:
 Sizes without feet
 Standard Cube (18 g)
 Ambient temperature +21° C
 Water temperature +15° C
 Electrical consumption at +43° C (standard voltage)

Models and specifications are subject to change without notice

Rev. 01 - Issued January 2016

Undercounter ice maker up to 98 kg - Sprayer system

Hotel	
Restaurant	
Fast food	
Bar	
Disco	
Fish market	
Supermarket	
Medical & SPA	
Industry	

► Position n°



► Features & Plus

- Compact and crystal cube
- AISI 304 SS Scotch Brite finish
- Tropical class +43°C
- Adjustable Stainless Steel feet
- Removable and cleanable air filter
- Air or water cooling system
- Easy cleanable internal rounded surfaces
- HCFC-Free insulated storage
- RoHS Free
- Disappearing insulated door
- Electromechanical operation
- ON-OFF rocker switch
- Standard and special voltages



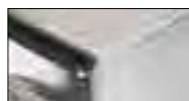
AISI 304 SS Scotch Brite finish



Adjustable Stainless Steel feet

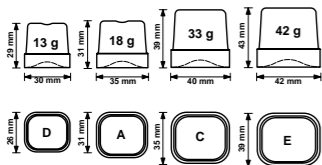


Removable and cleanable air filter



Disappearing insulated door

► Available ice cube size



► Prod. 24h

Air temp.	Water temp.		kg	lbs
	10° C	50° F		
10° C	50° F	10° C	98	216
21° C	70° F	15° C	95	209

2 Years Warranty
subject to limitations

► Certifications available for this model



Undercounter ice maker up to 98 kg - Sprayer system

► Working conditions

- Location: Indoor

	Min	Max
Ambient temperature	+10° C / +50° F	+43° C / 110° F
Water temperature	+3° C / +37° F	+32° C / +90° F
Voltage	-10%	+10%
Water inlet pressure	1bar (14 psi)	6bar (84 psi)

► Performances

Air temperature	Water temperature	Water temperature				
		10° C	50° F	15° C	60° F	21° C
10° C	98 kg					
50° F	216 lbs					
21° C			95 kg			
70° F			209 lbs			
32° C				85 kg		
90° F					187 lbs	

► Connections

All measures are referred to the rear bottom-left corner (L-H-Ø)

- ① Water in.: 116 mm / 4 9/16" - 285 mm / 11 4/16" - 3/4"
- ② Water out.: 54 mm / 2 2/16" - 245 mm / 9 10/16" - 24 mm / 15/16"
- ③ Electrical connections: 161 mm / 6 5/16" - 321 mm / 12 10/16"

► Technical information

Production in 24h	95 kg / 209 lbs	Water consumption	A: 2,5 l/kg - 29,9 gal/100 lbs
Store capacity, up to	55 kg / 121 lbs		W: 14,2 l/kg - 170,2 gal/100 lbs
Cooling system	A - W	Sizes (L-P-H mm)	738 - 600 - 1020
Kind of cube	A-18g, C-33g, D-13g, E-42g	(L-P-H in)	29 1/16 - 23 10/16 - 40 3/16
Refrigerant	R404A	Sizes with pack (L-P-H mm)	780 - 640 - 1185
Standard voltage	220-240 V ~ 50 Hz	(L-P-H in)	30 11/16 - 25 3/16 - 46 10/16
Electrical consumption	850 W	Net weight	89 kg / 196 lbs
Fuse	10 A	Gross weight	102 kg / 225 lbs
Finish	AISI 304 stainless steel, scotch brite		

All the technical information must be considered at the following conditions:
 Sizes without feet
 Standard Cube (18 g)
 Ambient temperature +21° C
 Water temperature +15° C
 Electrical consumption at +43° C (standard voltage)

Models and specifications are subject to change without notice

Rev. 01 - Issued January 2016

Undercounter ice maker up to 134 kg - Sprayer system

Hotel	
Restaurant	
Fast food	
Bar	
Disco	
Fish market	
Supermarket	
Medical & SPA	
Industry	

► Position n°



► Features & Plus

- Compact and crystal cube
- AISI 304 SS Scotch Brite finish
- Tropical class +43°C
- Adjustable Stainless Steel feet
- Removable and cleanable air filter
- Air or water cooling system
- Easy cleanable internal rounded surfaces
- HCFC-Free insulated storage
- RoHS Free
- Disappearing insulated door
- Electromechanical operation
- ON-OFF rocker switch
- Standard and special voltages



AISI 304 SS Scotch Brite finish



Adjustable Stainless Steel feet



Removable and cleanable air filter

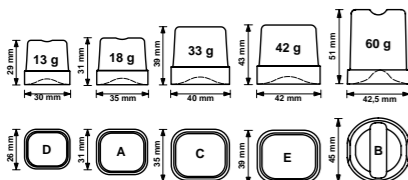


Easy cleanable internal rounded surfaces



Disappearing insulated door

► Available ice cube size



► Prod. 24h

Air temp.	Water temp.		kg	lbs
	10° C	50° F		
10° C	50° F	10° C	134	295
21° C	70° F	15° C	130	287

2 Years Warranty
subject to limitations

► Certifications available for this model



Undercounter ice maker up to 134 kg - Sprayer system

► Working conditions

- Location: Indoor

	Min	Max
Ambient temperature	+10° C / +50° F	+43° C / 110° F
Water temperature	+3° C / +37° F	+32° C / +90° F
Voltage	-10%	+10%
Water inlet pressure	1bar (14 psi)	6bar (84 psi)

► Performances

Air temperature	Water temperature	Water temperature				
		10° C	50° F	15° C	60° F	21° C
10° C	134 kg					
50° F	295 lbs					
21° C			130 kg			
70° F			287 lbs			
32° C				106 kg		
90° F					234 lbs	

► Connections

All measures are referred to the rear bottom-left corner (L-H-Ø)

- ① Water in.: 141 mm / 5 9/16" - 290 mm / 11 7/16" - 3/4"
- ② Water out.: 79 mm / 3 2/16" - 245 mm / 9 10/16" - 24 mm / 15/16"
- ③ Electrical connections: 186 mm / 7 5/16" - 326 mm / 12 13/16"

► Technical information

Production in 24h	130 kg / 287 lbs	Water consumption	A: 2,8 l/kg - 33,5 gal/100 lbs
Store capacity, up to	65 kg / 143 lbs		W: 15,3 l/kg - 183,3 gal/100 lbs
Cooling system	A - W	Sizes (L-P-H mm)	840 - 740 - 1075
Kind of cube	A-18g, C-33g, D-13g, E-42g, B-60g	(L-P-H in)	33 1/16 - 29 2/16 - 42 5/16
Refrigerant	R404A	Sizes with pack (L-P-H mm)	880 - 785 - 1245
Standard voltage	220-240 V ~ 50 Hz	(L-P-H in)	34 10/16 - 30 14/16 - 49
Electrical consumption	1050 W	Net weight	113 kg / 249 lbs
Fuse	16 A	Gross weight	133 kg / 293 lbs
Finish	AISI 304 stainless steel, scotch brite		

All the technical information must be considered at the following conditions:
 Sizes without feet
 Standard Cube (18 g)
 Ambient temperature +21° C
 Water temperature +15° C
 Electrical consumption at +43° C (standard voltage)

Models and specifications are subject to change without notice

Rev. 01 - Issued January 2016

Undercounter ice maker up to 158 kg - Sprayer system

Hotel	
Restaurant	
Fast food	
Bar	
Disco	
Fish market	
Supermarket	
Medical & SPA	
Industry	

► Position n°



► Features & Plus

- Compact and crystal cube
- AISI 304 SS Scotch Brite finish
- Tropical class +43°C
- Adjustable Stainless Steel feet
- Air or water cooling system
- Easy cleanable internal rounded surfaces
- HCFC-Free insulated storage
- RoHS Free
- Disappearing insulated door
- Electromechanical operation
- ON-OFF rocker switch
- Standard and special voltages



AISI 304 SS Scotch Brite finish



Adjustable Stainless Steel feet

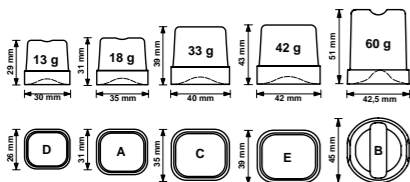


Easy cleanable internal rounded surfaces



Disappearing insulated door

► Available ice cube size



► Prod. 24h

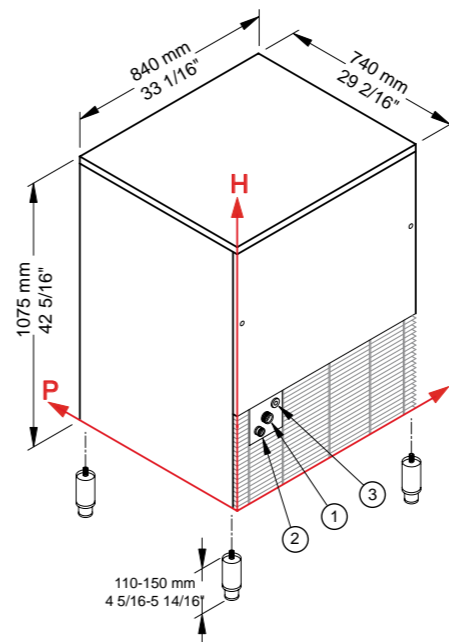
Air temp.	Water temp.		kg	lbs
	10° C	50° F		
10° C	50° F	10° C	158	348
21° C	70° F	15° C	155	342

2 Years Warranty
subject to limitations

► Certifications available for this model



Undercounter ice maker up to 158 kg - Sprayer system



► Working conditions

- Location: Indoor

	Min	Max
Ambient temperature	+10° C / +50° F	+43° C / 110° F
Water temperature	+3° C / +37° F	+32° C / +90° F
Voltage	-10%	+10%
Water inlet pressure	1bar (14 psi)	6bar (84 psi)

► Performances

Air temperature	Water temperature	Water temperature					
		10° C	50° F	15° C	60° F	21° C	70° F
10° C	158 kg						
50° F	348 lbs						
21° C			155 kg				
70° F			342 lbs				
32° C					132 kg		
90° F						291 lbs	

► Connections

All measures are referred to the rear bottom-left corner (L-H-Ø)

- ① Water in.: 141 mm / 5 9/16" - 290 mm / 11 7/16" - 3/4"
- ② Water out.: 79 mm / 3 2/16" - 245 mm / 9 10/16" - 24 mm / 15/16"
- ③ Electrical connections: 186 mm / 7 5/16" - 326 mm / 12 13/16"

► Technical information

Production in 24h	155 kg / 342 lbs	Water consumption	A: 2,6 l/kg - 31,1 gal/100 lbs
Store capacity, up to	65 kg / 143 lbs		W: 13 l/kg - 155,8 gal/100 lbs
Cooling system	A - W	Sizes (L-P-H mm)	840 - 740 - 1075
Kind of cube	A-18g, C-33g, D-13g, E-42g, B-60g	(L-P-H in)	33 1/16 - 29 2/16 - 42 5/16
Refrigerant	R404A	Sizes with pack (L-P-H mm)	880 - 785 - 1245
Standard voltage	220-240 V ~ 50 Hz	(L-P-H in)	34 10/16 - 30 14/16 - 49
Electrical consumption	1400 W	Net weight	118 kg / 260 lbs
Fuse	16 A	Gross weight	138 kg / 304 lbs
Finish	AISI 304 stainless steel, scotch brite		

All the technical information must be considered at the following conditions:
 Sizes without feet
 Standard Cube (18 g)
 Ambient temperature +21° C
 Water temperature +15° C
 Electrical consumption at +43° C (standard voltage)

Models and specifications are subject to change without notice

Rev. 01 - Issued January 2016

Modular ice maker up to 160 kg - Sprayer system

Hotel	
Restaurant	
Fast food	
Bar	
Disco	
Fish market	
Supermarket	
Medical & SPA	
Industry	

► Position n°



► Features & Plus

- Compact and crystal cube
- AISI 304 SS Scotch Brite finish
- Tropical class +43°C
- Removable and cleanable air filter
- Air or water cooling system
- Easy cleanable internal rounded surfaces
- RoHS Free
- Electromechanical operation
- ON-OFF rocker switch
- Standard and special voltages

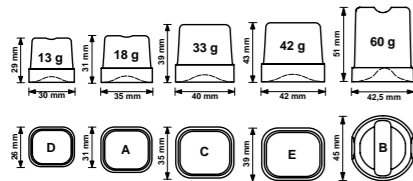


AISI 304 SS Scotch Brite finish
Removable and cleanable air filter

► Usable Bins

- Bin 240PE
- Bin 200
- Bin 350

► Available ice cube size



► Prod. 24h

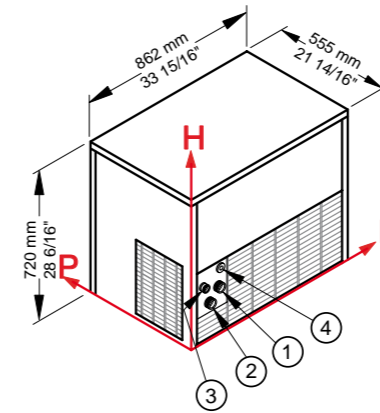
Air temp.	Water temp.		Kg	Lbs
	10° C	50° F		
10° C	50° F	10° C	160	353
21° C	70° F	15° C	155	342

2 Years Warranty
subject to limitations

► Certifications available for this model



Modular ice maker up to 160 kg - Sprayer system



► Working conditions

- Location: Indoor

	Min	Max
Ambient temperature	+10° C / +50° F	+43° C / 110° F
Water temperature	+3° C / +37° F	+32° C / +90° F
Voltage	-10%	+10%
Water inlet pressure	1bar (14 psi)	6bar (84 psi)

► Performances

Air temperature	Water temperature	Water temperature				
		10° C	50° F	15° C	60° F	21° C
10° C	160 kg					
50° F	353 lbs					
21° C			155 kg			
70° F			342 lbs			
32° C					132 kg	
90° F						291 lbs

► Connections

All measures are referred to the down-left corner (L-H-Ø)

- ① Water in.: 126 mm / 4 15/16" - 284 mm / 11 3/16" - 3/4"
- ② Cond. water in.: 94 mm / 3 11/16" - 234 mm / 9 3/16" - 3/4"
- ③ Water out.: 69 mm / 2 11/16" - 297 mm / 11 11/16" - 24 mm / 15/16"
- ④ Electrical connections: 140 mm / 5 8/16" - 355 mm / 14"

► Technical information

Production in 24h	155 kg / 342 lbs	Water consumption	A: 2,6 l/kg - 31,1 gal/100 lbs
Cooling system	A - W		W: 13 l/kg - 155,8 gal/100 lbs
Kind of cube	A-18g, C-33g, D-13g, E-42g, B-60g	Sizes (L-P-H mm)	862 - 555 - 720
Refrigerant	R404A	(L-P-H in)	33 15/16 - 21 14/16 - 28 6/16
Standard voltage	220-240 V ~ 50 Hz	Sizes with pack (L-P-H mm)	910 - 605 - 955
Electrical consumption	1400 W	(L-P-H in)	35 13/16 - 23 13/16 - 37 10/16
Fuse	16 A	Net weight	118 kg / 260 lbs
Finish	AISI 304 stainless steel, scotch brite	Gross weight	128 kg / 282 lbs

All the technical information need to be considered at the following conditions:
Standard Cube (18 g)
Ambient temperature +21° C
Water temperature +15° C
Electrical consumption at +43° C (standard voltage)

Models and specifications are subject to change without notice

Rev. 01 - Issued January 2016

Modular ice maker up to 320 kg - Sprayer system

Hotel	
Restaurant	
Fast food	
Bar	
Disco	
Fish market	
Supermarket	
Medical & SPA	
Industry	

► Position n°



► Features & Plus

- Compact and crystal cube
- AISI 304 SS Scotch Brite finish
- Tropical class +43°C
- Removable and cleanable air filter
- Air or water cooling system
- Easy cleanable internal rounded surfaces
- RoHS Free
- Electromechanical operation
- ON-OFF rocker switch
- Standard and special voltages

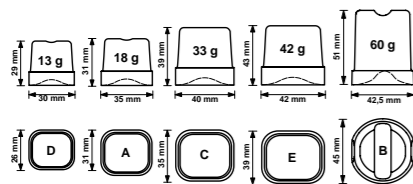


AISI 304 SS Scotch Brite finish Removable and cleanable air filter

► Usable Bins

- Bin 350

► Available ice cube size



► Prod. 24h

Air temp.	Water temp.		Kg	Lbs	
	10° C	50° F			10° C
10° C	50° F	10° C	50° F	320	705
21° C	70° F	15° C	60° F	300	661

2 Years Warranty
subject to limitations

► Certifications available for this model



Modular ice maker up to 320 kg - Sprayer system

► Working conditions

- Location: Indoor

	Min	Max
Ambient temperature	+10° C / +50° F	+43° C / 110° F
Water temperature	+3° C / +37° F	+32° C / +90° F
Voltage	-10%	+10%
Water inlet pressure	1bar (14 psi)	6bar (84 psi)

► Performances

Air temperature	Water temperature	Water temperature					
		10° C	50° F	15° C	60° F	21° C	70° F
10° C	320 kg						
50° F	705 lbs						
21° C			300 kg				
70° F				661 lbs			
32° C					260 kg		
90° F						573 lbs	

► Connections

All measures are referred to the down-left corner (L-H-Ø)

- ① Water in.: 39 mm / 1 9/16" - 582 mm / 22 15/16" - 3/4"
- ② Cond. water in.: 1217 mm / 47 15/16" - 298 mm / 11 12/16" - 3/4"
- ③ Water out.: 29 mm / 1 2/16" - 73 mm / 2 14/16" - 24 mm / 15/16"
- ④ Electrical connections: 1222 mm / 48 2/16" - 748 mm / 29 7/16"
- ⑤ Water out.: 31 mm / 1 4/16" - 440 mm / 17 5/16" - 24mm / 15/16"
- ⑥ Cond. water out.: 1222 mm / 48 2/16" - 55 mm / 2 3/16" - 3/4" mm / 8/16"

► Technical information

Production in 24h	300 kg / 661 lbs	Water consumption	A: 2,6 l/kg - 31,1 gal/100 lbs
Cooling system	A - W		W: 14,3 l/kg - 171,4 gal/100 lbs
Kind of cube	A-18g, C-33g, D-13g, E-42g, B-60g	Sizes (L-P-H mm)	1250 - 580 - 848
Refrigerant	R404A	(L-P-H in)	49 3/16 - 22 13/16 - 33 6/16
Standard voltage	220-240 V ~ 50 Hz	Sizes with pack (L-P-H mm)	1335 - 705 - 1005
Electrical consumption	2600 W	(L-P-H in)	52 9/16 - 27 12/16 - 39 9/16
Fuse	32 A	Net weight	152 kg / 335 lbs
Finish	AISI 304 stainless steel, scotch brite	Gross weight	178 kg / 392 lbs

All the technical information need to be considered at the following conditions:
Standard Cube (18 g)
Ambient temperature +21° C
Water temperature +15° C
Electrical consumption at +43° C (standard voltage)

Models and specifications are subject to change without notice

Rev. 01 - Issued January 2016

Modular ice maker 300 kg - Sprayer system

Hotel	
Restaurant	
Fast food	
Bar	
Disco	
Fish market	
Supermarket	
Medical & SPA	
Industry	

► Position n°



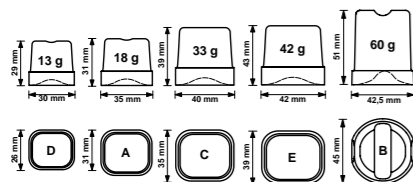
► Features & Plus

- Compact and crystal cube
- AISI 304 SS Scotch Brite finish
- Tropical class +43°C
- Easy cleanable internal rounded surfaces
- RoHS Free
- Electromechanical operation
- ON-OFF rocker switch
- Standard and special voltages



AISI 304 SS
Scotch Brite finish

► Available ice cube size



► Usable Bins

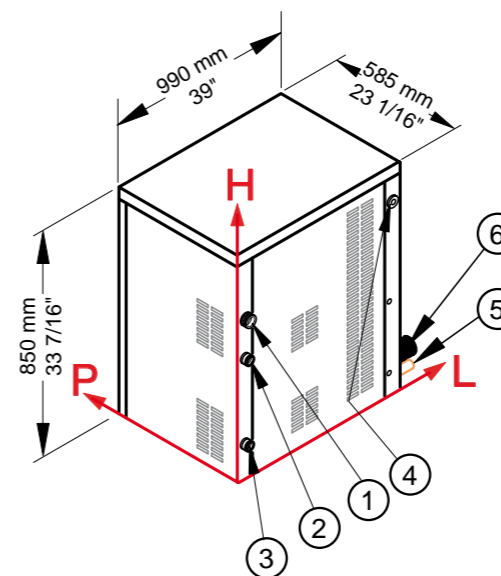
- Bin 350

2 Years Warranty
subject to limitations

► Certifications available for this model



Modular ice maker 300 kg - Sprayer system



► Working conditions

- Location: Indoor

	Min	Max
Ambient temperature	+10° C / +50° F	+43° C / 110° F
Water temperature	+3° C / +37° F	+32° C / +90° F
Voltage	-10%	+10%
Water inlet pressure	1bar (14 psi)	6bar (84 psi)

► Connections

- ① Water inlet
- ② Water outlet
- ③ Water outlet
- ④ Electrical connection
- ⑤ Refrigerant feeding pipe
- ⑥ Outlet pipe of gaseous refrigerant

► Technical information

Production in 24h	300 kg / 661 lbs
Kind of cube	A-18g, C-33g, D-13g, E-42g, B-60g
Refrigerant	R404A - R507
Refrigerant capacity	6000 W (evap. temp. production cycle start -12° C, end -28° C)
Water consumption	2,6 l/kg - 31,1 gal/100 lbs
Standard voltage	220-240 V ~ 50 Hz
Electrical consumption	200 W

Sizes (L-P-H mm)	990 - 585 - 850
(L-P-H in)	39 - 23 1/16 - 33 7/16
Sizes with pack (L-P-H mm)	1075 - 705 - 1020
(L-P-H in)	42 5/16 - 27 12/16 - 40 3/16
Net weight	97 kg / 214 lbs
Gross weight	107 kg / 236 lbs
Finish	AISI 304 stainless steel, scotch brite

All the technical information need to be considered at the following conditions:
 Standard Cube (18 g)
 Evaporation temperature production cycle start -12° C, end -28° C
 Water temperature +15° C
 Electrical consumption at +43° C (standard voltage)

Models and specifications are subject to change without notice

Rev. 01 - Issued January 2016

Fresh Maker

Next model

Undercounter ice maker up to 25 kg - Sprayer system

Hotel	
Restaurant	
Fast food	
Bar	
Disco	
Fish market	
Supermarket	
Medical & SPA	
Industry	

► Position n°



► Features & Plus

- Compact and crystal cube
- AISI 304 SS Scotch Brite finish
- Tropical class +43°C
- Cleanable antiscaling filter
- Easy cleanable internal rounded surfaces
- HCFC-Free insulated storage
- RoHS Free
- Disappearing insulated door
- Electromechanical operation
- ON-OFF rocker switch
- Standard and special voltages
- Patented sprayer slide
- Fresh water dispenser



AISI 304 SS Scotch Brite finish



Cleanable antiscaling filter



Patented sprayer slide



Fresh water dispenser

► Available ice cube size



► Prod. 24h

Air temp.	Water temp.		kg	lbs
	10° C	50° F		
10° C	50° F	10° C	25	55
21° C	70° F	15° C	22	49

2 Years Warranty
subject to limitations

► Certifications available for this model



Undercounter ice maker up to 25 kg - Sprayer system

► Working conditions

- Location: Indoor

	Min	Max
Ambient temperature	+10° C / +50° F	+43° C / 110° F
Water temperature	+3° C / +37° F	+32° C / +90° F
Voltage	-10%	+10%
Water inlet pressure	1bar (14 psi)	6bar (84 psi)

► Performances

Air temperature	Water temperature	Water temperature				
		10° C	50° F	15° C	60° F	21° C
10° C	25 kg					
50° F	55 lbs					
21° C			22 kg			
70° F			49 lbs			
32° C				18 kg		
90° F					40 lbs	

► Connections

All measures are referred to the rear bottom-left corner (L-H-Ø)

- ① Water in.: 120 mm / 4 12/16" - 215 mm / 8 7/16" - 3/4"
- ② Water out.: 150 mm / 5 14/16" - 40 mm / 1 9/16" - 24 mm / 15/16"
- ③ Electrical connections: 44 mm / 1 12/16" - 40 mm / 1 9/16"

► Technical information

Production in 24h	22 kg / 49 lbs	Water consumption	W: 37,4 l/kg - 448,1 gal/100 lbs
Store capacity, up to	4 kg / 9 lbs	Sizes (L-P-H mm)	540 - 430 - 435
Cooling system	W	(L-P-H in)	21 4/16 - 16 15/16 - 17 2/16
Kind of cube	D-13g	Sizes with pack (L-P-H mm)	590 - 490 - 640
Refrigerant	R404A	(L-P-H in)	23 4/16 - 19 5/16 - 25 3/16
Standard voltage	220-240 V ~ 50 Hz	Net weight	37,5 kg / 83 lbs
Electrical consumption	320 W	Gross weight	42,5 kg / 94 lbs
Fuse	10 A	Finish	AISI 304 stainless steel, scotch brite
Delivered water	1,2 l/min		

All the technical information must be considered at the following conditions:
 Sizes without feet
 Standard Cube (13 g)
 Ambient temperature +21° C
 Water temperature +15° C
 Electrical consumption at +43° C (standard voltage)

Models and specifications are subject to change without notice

Rev. 01 - Issued January 2016

Back to the model list

Cover

About

Products

Model series

Contacts

Undercounter ice maker up to 25 kg - Sprayer system

Hotel	■
Restaurant	■
Fast food	■
Bar	■
Disco	■
Fish market	■
Supermarket	■
Medical & SPA	■
Industry	■

► Position n°



► Features & Plus

- Compact and crystal cube
- Tropical class +43°C
- Cleanable antiscala filter
- Air or water cooling system
- Easy cleanable internal rounded surfaces
- HCFC-Free insulated storage
- RoHS Free
- Electromechanical operation
- ON-OFF rocker switch
- Standard and special voltages
- Patented sprayer slide
- Ice dispenser
- Fresh water dispenser



Cleanable antiscala filter



Easy cleanable internal rounded surfaces



Patented sprayer slide



Ice dispenser

► Available ice cube size



► Prod. 24h

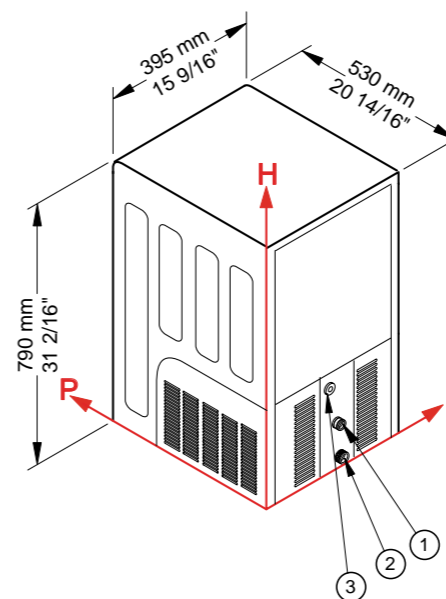
Air temp.		Water temp.		kg	lbs
10° C	50° F	10° C	50° F	25	55
21° C	70° F	15° C	60° F	22	49

2 Years Warranty
subject to limitations

► Certifications available for this model



Undercounter ice maker up to 25 kg - Sprayer system



► Working conditions

- Location: Indoor

	Min	Max
Ambient temperature	+10° C / +50° F	+43° C / 110° F
Water temperature	+3° C / +37° F	+32° C / +90° F
Voltage	-10%	+10%
Water inlet pressure	1bar (14 psi)	6bar (84 psi)

► Performances

Air temperature		Water temperature					
		10° C	50° F	15° C	60° F	21° C	70° F
10° C	25 kg						
50° F	55 lbs						
21° C			22 kg				
70° F			49 lbs				
32° C					18 kg		
90° F					40 lbs		

► Connections

All measures are referred to the rear bottom-left corner (L-H-Ø)

- ① Water in.: 191 mm / 7 8/16" - 136 mm / 5 6/16" - 3/4"
- ② Water out.: 197 mm / 7 12/16" - 36 mm / 1 7/16" - 24 mm / 15/16"
- ③ Electrical connections: 175 mm / 6 14/16" - 211 mm / 8 5/16"

► Technical information

Production in 24h	22 kg / 49 lbs	Water consumption	A: 4,5 l/kg - 53,9 gal/100 lbs
Store capacity, up to	7 kg / 15 lbs		W: 18 l/kg - 215,7 gal/100 lbs
Cooling system	A - W	Sizes (L-P-H mm)	395 - 530 - 790
Kind of cube	D-13g	(L-P-H ")	15 9/16 - 20 14/16 - 31 2/16
Refrigerant	R404A	Sizes with pack (L-P-H mm)	430 - 580 - 970
Standard voltage	220-240 V ~ 50 Hz	(L-P-H ")	16 15/16 - 22 13/16 - 38 3/16
Electrical consumption	250 W	Net weight	41 kg / 90 lbs
Fuse	10 A	Gross weight	48 kg / 106 lbs
Delivered water	2,5 l/min	Finish	Polyethylene
Delivered ice	1,3 kg/min		

All the technical information must be considered at the following conditions:
 Sizes without feet
 Standard Cube (13 g)
 Ambient temperature +21° C
 Water temperature +15° C
 Electrical consumption at +43° C (standard voltage)

Models and specifications are subject to change without notice

Rev. 01 - Issued January 2016

Undercounter ice maker up to 48 kg - Sprayer system

Hotel	■
Restaurant	■
Fast food	■
Bar	■
Disco	■
Fish market	■
Supermarket	■
Medical & SPA	■
Industry	■

► Position n°



► Features & Plus

- Compact and crystal cube
- AISI 304 SS Scotch Brite finish
- Tropical class +43°C
- Air or water cooling system
- Easy cleanable internal rounded surfaces
- HCFC-Free insulated storage
- RoHS Free
- Electromechanical operation
- Standard and special voltages
- Ice dispenser



AISI 304 SS Scotch Brite finish



Ice dispenser

► Available ice cube size



► Prod. 24h

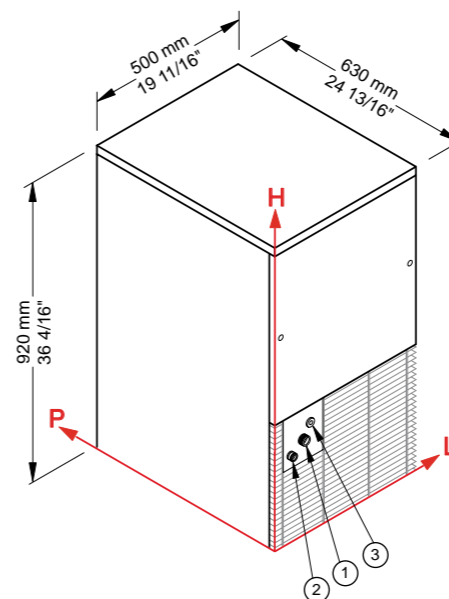
Air temp.	Water temp.		kg	lbs	
	10° C	50° F			10° C
10° C	50° F	10° C	50° F	48	106
21° C	70° F	15° C	60° F	44	97

2 Years Warranty
subject to limitations

► Certifications available for this model



Undercounter ice maker up to 48 kg - Sprayer system



► Working conditions

- Location: Indoor

	Min	Max
Ambient temperature	+10° C / +50° F	+43° C / 110° F
Water temperature	+3° C / +37° F	+32° C / +90° F
Voltage	-10%	+10%
Water inlet pressure	1bar (14 psi)	6bar (84 psi)

► Performances

Air temperature	Water temperature	Water temperature					
		10° C	50° F	15° C	60° F	21° C	70° F
10° C	48 kg						
50° F	106 lbs						
21° C			44 kg				
70° F			97 lbs				
32° C				40 kg			
90° F					88 lbs		

► Connections

All measures are referred to the rear bottom-left corner (L-H-Ø)

- ① Water in.: 111 mm / 4 6/16" - 311 mm / 12 4/16" - 3/4"
- ② Water out.: 49 mm / 1 15/16" - 270 mm / 10 10/16" - 24 mm / 15/16"
- ③ Electrical connections: 156 mm / 6 2/16" - 347 mm / 13 11/16"

► Technical information

Production in 24h	44 kg / 97 lbs	Water consumption	A: 4 l/kg - 47,9 gal/100 lbs
Store capacity, up to	12 kg / 26 lbs		W: 15 l/kg - 179,7 gal/100 lbs
Cooling system	A - W	Sizes (L-P-H mm)	500 - 630 - 920
Kind of cube	D-13g	(L-P-H in)	19 11/16 - 24 13/16 - 36 4/16
Refrigerant	R404A	Sizes with pack (L-P-H mm)	540 - 770 - 1090
Standard voltage	220-240 V ~ 50 Hz	(L-P-H in)	21 4/16 - 30 5/16 - 42 15/16
Electrical consumption	450 W	Net weight	66 kg / 146 lbs
Fuse	10 A	Gross weight	74 kg / 163 lbs
Delivered ice	3 kg/min	Finish	AISI 304 stainless steel, scotch brite

All the technical information must be considered at the following conditions:
 Sizes without feet
 Standard Cube (13 g)
 Ambient temperature +21° C
 Water temperature +15° C
 Electrical consumption at +43° C (standard voltage)

Models and specifications are subject to change without notice

Rev. 01 - Issued January 2016

Undercounter ice maker up to 25 kg - Sprayer system

Hotel	
Restaurant	
Fast food	
Bar	
Disco	
Fish market	
Supermarket	
Medical & SPA	
Industry	

► Position n°

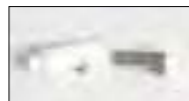


► Features & Plus

- Compact and crystal cube
- AISI 304 SS Scotch Brite finish
- Tropical class +43°C
- Cleanable antiscala filter
- Easy cleanable internal rounded surfaces
- HCFC-Free insulated storage
- RoHS Free
- Disappearing insulated door
- Electromechanical operation
- ON-OFF rocker switch
- Standard and special voltages
- Patented sprayer slide
- Suitable for embedment



AISI 304 SS Scotch Brite finish



Cleanable antiscala filter



Disappearing insulated door



Patented sprayer slide

► Available ice cube size



► Prod. 24h

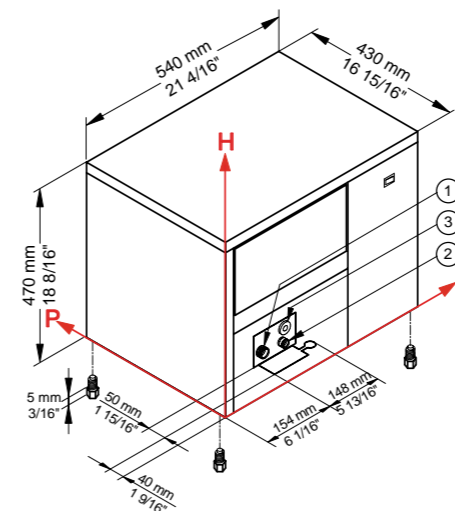
Air temp.		Water temp.		kg	lbs
10° C	50° F	10° C	50° F	25	55
21° C	70° F	15° C	60° F	22	49

2 Years Warranty
subject to limitations

► Certifications available for this model



Undercounter ice maker up to 25 kg - Sprayer system



► Working conditions

- Location: Indoor

	Min	Max
Ambient temperature	+10° C / +50° F	+43° C / 110° F
Water temperature	+3° C / +37° F	+32° C / +90° F
Voltage	-10%	+10%
Water inlet pressure	1bar (14 psi)	6bar (84 psi)

► Performances

Air temperature	Water temperature	Water temperature				
		10° C	50° F	15° C	60° F	21° C
10° C	25 kg					
50° F	55 lbs					
21° C			22 kg			
70° F			49 lbs			
32° C					18 kg	
90° F					40 lbs	

► Connections

All measures are referred to the rear bottom-left corner

- ① Water in.: 3/4" Ø
- ② Water out.: 24 mm / 15/16" Ø
- ③ Electrical connections

► Technical information

Production in 24h	22 kg / 49 lbs	Water consumption	A: 4,5 l/kg - 53,9 gal/100 lbs
Store capacity, up to	4 kg / 9 lbs	Sizes (L-P-H mm)	540 - 430 - 470
Cooling system	A	(L-P-H in)	21 4/16 - 16 15/16 - 18 8/16
Kind of cube	D-13g	Sizes with pack (L-P-H mm)	590 - 490 - 640
Refrigerant	R404A	(L-P-H in)	23 4/16 - 19 5/16 - 25 3/16
Standard voltage	220-240 V ~ 50 Hz	Net weight	34 kg / 75 lbs
Electrical consumption	320 W	Gross weight	39 kg / 86 lbs
Fuse	10 A	Finish	AISI 304 stainless steel, scotch brite

All the technical information must be considered at the following conditions:
 Sizes without feet
 Standard Cube (13 g)
 Ambient temperature +21° C
 Water temperature +15° C
 Electrical consumption at +43° C (standard voltage)

Models and specifications are subject to change without notice

Rev. 01 - Issued January 2016

Undercounter ice maker up to 30 kg - Sprayer system

Hotel	
Restaurant	
Fast food	
Bar	
Disco	
Fish market	
Supermarket	
Medical & SPA	
Industry	

► Position n°



► Features & Plus

- Compact and crystal cube
- AISI 304 SS Scotch Brite finish
- Tropical class +43°C
- Easy cleanable internal rounded surfaces
- HCFC-Free insulated storage
- RoHS Free
- Disappearing insulated door
- Electromechanical operation
- ON-OFF rocker switch
- Standard and special voltages
- Suitable for embedment

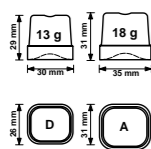


AISI 304 SS Scotch Brite finish



Disappearing insulated door

► Available ice cube size



► Prod. 24h

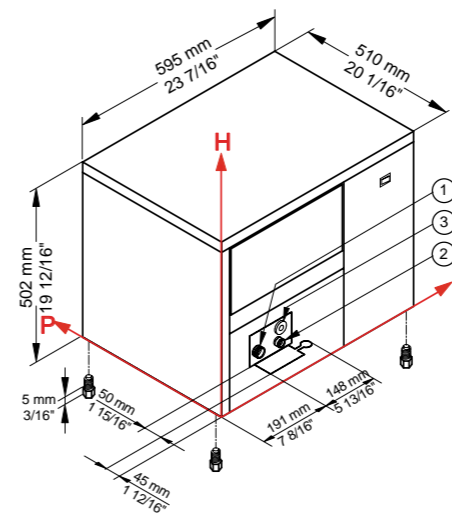
Air temp.	Water temp.		kg	lbs
	10° C	50° F		
10° C	50° F	10° C	30	66
21° C	70° F	15° C	26	57

2 Years Warranty
subject to limitations

► Certifications available for this model



Undercounter ice maker up to 30 kg - Sprayer system



► Working conditions

- Location: Indoor

	Min	Max
Ambient temperature	+10° C / +50° F	+43° C / 110° F
Water temperature	+3° C / +37° F	+32° C / +90° F
Voltage	-10%	+10%
Water inlet pressure	1bar (14 psi)	6bar (84 psi)

► Performances

Air temperature	Water temperature	Water temperature				
		10° C	50° F	15° C	60° F	21° C
10° C	30 kg					
50° F	66 lbs					
21° C			26 kg			
70° F			57 lbs			
32° C				22 kg		
90° F				49 lbs		

► Connections

All measures are referred to the rear bottom-left corner

- ① Water in.: 3/4" Ø
- ② Water out.: 24 mm / 15/16" Ø
- ③ Electrical connections

► Technical information

Production in 24h	26 kg / 57 lbs	Water consumption	A: 5,1 l/kg - 61,1 gal/100 lbs
Store capacity, up to	6 kg / 13 lbs	Sizes (L-P-H mm)	595 - 510 - 502
Cooling system	A	(L-P-H in)	23 7/16 - 20 1/16 - 19 12/16
Kind of cube	A-18g, D-13g	Sizes with pack (L-P-H mm)	635 - 555 - 675
Refrigerant	R404A	(L-P-H in)	25 - 21 14/16 - 26 9/16
Standard voltage	220-240 V ~ 50 Hz	Net weight	41 kg / 90 lbs
Electrical consumption	350 W	Gross weight	48 kg / 106 lbs
Fuse	10 A	Finish	AISI 304 stainless steel, scotch brite

All the technical information must be considered at the following conditions:
 Sizes without feet
 Standard Cube (18 g)
 Ambient temperature +21° C
 Water temperature +15° C
 Electrical consumption at +43° C (standard voltage)

Models and specifications are subject to change without notice

Rev. 01 - Issued January 2016

VB 250

Undercounter ice maker up to 120 kg - Vertical evaporator system

Hotel	
Restaurant	
Fast food	
Bar	
Disco	
Fish market	
Supermarket	
Medical & SPA	
Industry	

► Position n°



► Features & Plus

- Single and crystal cube
- AISI 304 SS Scotch Brite finish
- Tropical class +43°C
- Adjustable Stainless Steel feet
- Removable and cleanable air filter
- Cleanable antiscaling filter
- Air or water cooling system
- Easy cleanable internal rounded surface
- HCFC-Free insulated storage
- RoHS Free
- Disappearing insulated door
- Electromechanical operation
- ON-OFF rocker switch
- Standard and special voltages



Single and crystal cube



AISI 304 SS Scotch Brite finish



Adjustable Stainless Steel feet



Removable and cleanable air filter

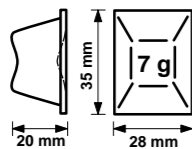


Cleanable antiscaling filter



Disappearing insulated door

► Available ice cube size



► Prod. 24h

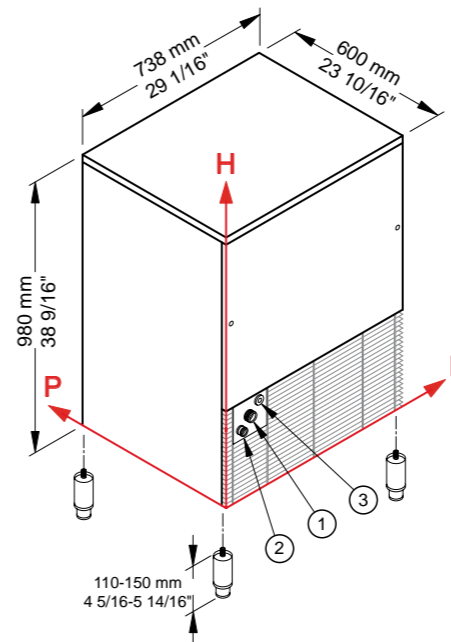
Air temp.	Water temp.		kg	lbs	
	10° C	50° F			10° C
10° C	50° F	10° C	50° F	120	265
21° C	70° F	15° C	60° F	105	231

2 Years Warranty
subject to limitations

► Certifications available for this model



Undercounter ice maker up to 120 kg - Vertical evaporator system



► Working conditions

- Location: Indoor

	Min	Max
Ambient temperature	+10° C / +50° F	+43° C / 110° F
Water temperature	+3° C / +37° F	+32° C / +90° F
Voltage	-10%	+10%
Water inlet pressure	1bar (14 psi)	6bar (84 psi)

► Performances

Air temperature	Water temperature	Water temperature				
		10° C	50° F	15° C	60° F	21° C
10° C	120 kg					
50° F	265 lbs					
21° C			105 kg			
70° F			231 lbs			
32° C				90 kg		
90° F				198 lbs		

► Connections

All measures are referred to the rear bottom-left corner (L-H-Ø)

- ① Water in.: 116 mm / 4 9/16" - 245 mm / 9 10/16" - 3/4"
- ② Water out.: 54 mm / 2 2/16" - 200 mm / 7 14/16" - 24 mm / 15/16"
- ③ Electrical connections: 161 mm / 6 5/16" - 281 mm / 11 1/16"

► Technical information

Production in 24h	105 kg / 231 lbs	Water consumption	A: 2,5 l/kg - 29,9 gal/100 lbs
Store capacity, up to	35 kg / 77 lbs		W: 14,2 l/kg - 170,2 gal/100 lbs
Cooling system	A - W	Sizes (L-P-H mm)	738 - 600 - 980
Kind of cube	7g	(L-P-H in)	29 1/16 - 23 10/16 - 38 9/16
Refrigerant	R404A	Sizes with pack (L-P-H mm)	780 - 640 - 1140
Standard voltage	220-240 V ~ 50 Hz	(L-P-H in)	30 11/16 - 25 3/16 - 44 14/16
Electrical consumption	850 W	Net weight	75 kg / 165 lbs
Fuse	10 A	Gross weight	85 kg / 187 lbs
Finish	AISI 304 stainless steel, scotch brite		

All the technical information must be considered at the following conditions:

- Sizes without feet
- Standard Cube (7 g)
- Ambient temperature +21° C
- Water temperature +15° C
- Electrical consumption at +43° C (standard voltage)

Models and specifications are subject to change without notice

Rev. 01 - Issued January 2016

[Back to the model list](#)

Modular ice maker up to 145 kg - Vertical evaporator system

Hotel	
Restaurant	
Fast food	
Bar	
Disco	
Fish market	
Supermarket	
Medical & SPA	
Industry	

► Position n°



► Features & Plus

- Single and crystal cube
- AISI 304 SS Scotch Brite finish
- Tropical class +43°C
- Removable and cleanable air filter
- Air or water cooling system
- Easy cleanable internal rounded surface
- RoHS Free
- Electromechanical operation
- ON-OFF rocker switch
- Automatic washing system
- Standard and special voltages



Single and crystal cube



AISI 304 SS Scotch Brite finish

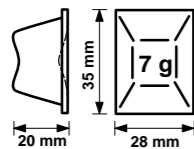


Removable and cleanable air filter

► Usable Bins

- Bin 110
- Bin 200
- Bin 240PE

► Available ice cube size



► Prod. 24h

Air temp.	Water temp.		Kg	Lbs
	10° C	50° F		
10° C	50° F	10° C	145	320
21° C	70° F	15° C	140	309

2 Years Warranty
subject to limitations

► Certifications available for this model



Modular ice maker up to 145 kg - Vertical evaporator system

► Working conditions

- Location: Indoor

	Min	Max
Ambient temperature	+10° C / +50° F	+43° C / 110° F
Water temperature	+3° C / +37° F	+32° C / +90° F
Voltage	-10%	+10%
Water inlet pressure	1bar (14 psi)	6bar (84 psi)

► Performances

Air temperature	Water temperature	Water temperature				
		10° C	50° F	15° C	60° F	21° C
10° C	145 kg					
50° F	320 lbs					
21° C			140 kg			
70° F			309 lbs			
32° C					113 kg	
90° F					249 lbs	

► Connections

All measures are referred to the down-left corner (L-H-Ø)

- ① Water in.: 35 mm / 1 6/16" - 173 mm / 6 13/16" - 3/4"
- ② Cond. water in.: 35 mm / 1 6/16" - 268 mm / 10 9/16" - 3/4"
- ③ Water out.: 32 mm / 1 4/16" - 42 mm / 1 10/16" - 24 mm / 15/16"
- ④ Cond. water out.: 28 mm / 1 2/16" - 93 mm / 3 11/16" - 12 mm / 8/16"
- ⑤ Electrical connections: 33 mm / 1 5/16" - 343 mm / 13 8/16"

► Technical information

Production in 24h	140 kg / 309 lbs	Water consumption	A: 3 l/kg - 35,9 gal/100 lbs
Cooling system	A - W		W: 13,5 l/kg - 161,8 gal/100 lbs
Kind of cube	7g	Sizes (L-P-H mm)	540 - 544 - 747
Refrigerant	R404A	(L-P-H in)	21 4/16 - 21 7/16 - 29 7/16
Standard voltage	220-240 V ~ 50 Hz	Sizes with pack (L-P-H mm)	580 - 615 - 925
Electrical consumption	1400 W	(L-P-H in)	22 13/16 - 24 3/16 - 36 7/16
Fuse	16 A	Net weight	73 kg / 161 lbs
Finish	AISI 304 stainless steel, scotch brite	Gross weight	83 kg / 183 lbs

All the technical information need to be considered at the following conditions:

- Standard Cube (7 g)
- Ambient temperature +21° C
- Water temperature +15° C
- Electrical consumption at +43° C (standard voltage)

Models and specifications are subject to change without notice

Rev. 01 - Issued January 2016

Modular ice maker up to 205 kg - Vertical evaporator system

Hotel	■
Restaurant	■
Fast food	■
Bar	■
Disco	■
Fish market	■
Supermarket	■
Medical & SPA	■
Industry	■

► Position n°



► Features & Plus

- Single and crystal cube
- AISI 304 SS Scotch Brite finish
- Tropical class +43°C
- Removable and cleanable air filter
- Air or water cooling system
- Easy cleanable internal rounded surface
- RoHS Free
- Electromechanical operation
- ON-OFF rocker switch
- Automatic washing system
- Standard and special voltages



Single and crystal cube



AISI 304 SS Scotch Brite finish



Removable and cleanable air filter

► Usable Bins

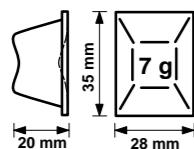
- Bin 240PE
- Bin 200
- Bin 350
- Double Roller Bin 100

► Prod. 24h

Air temp.	Water temp.		Kg	Lbs
	10° C	50° F		
10° C	50° F	10° C	205	452
21° C	70° F	15° C	200	441

2 Years Warranty
subject to limitations

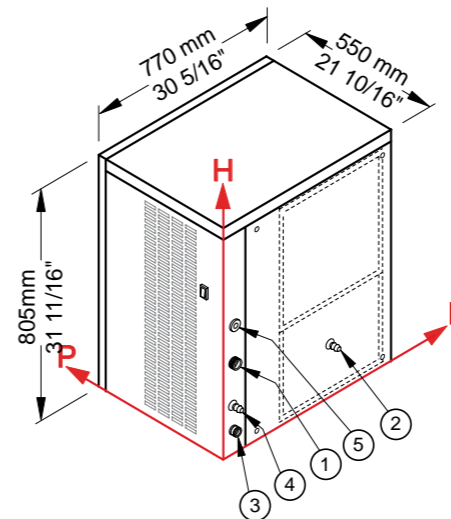
► Available ice cube size



► Certifications available for this model



Modular ice maker up to 205 kg - Vertical evaporator system



► Working conditions

- Location: Indoor

	Min	Max
Ambient temperature	+10° C / +50° F	+43° C / 110° F
Water temperature	+3° C / +37° F	+32° C / +90° F
Voltage	-10%	+10%
Water inlet pressure	1bar (14 psi)	6bar (84 psi)

► Performances

Air temperature	Water temperature	Water temperature				
		10° C	50° F	15° C	60° F	21° C
10° C	205 kg					
50° F	452 lbs					
21° C	200 kg					
70° F	441 lbs					
32° C	163 kg					
90° F	359 lbs					

► Connections

All measures are referred to the down-left corner (L-H-Ø)

- ① Water in.: 38 mm / 1 8/16" - 252 mm / 9 15/16" - 3/4"
- ② Cond. water in.: 375 mm / 14 12/16" - 115 mm / 4 8/16" - 12 mm / 8/16"
- ③ Water out.: 32 mm / 1 4/16" - 40 mm / 1 9/16" - 24 mm / 15/16"
- ④ Cond. water out.: 28 mm / 1 2/16" - 93 mm / 3 11/16" - 12 mm / 8/16"
- ⑤ Electrical connections: 33 mm / 1 5/16" - 323 mm / 12 11/16"
- ②④ Only water cooling systems

► Technical information

Production in 24h	200 kg / 441 lbs	Water consumption	A: 2,4 l/kg - 28,7 gal/100 lbs
Cooling system	A - W		W: 13 l/kg - 155,8 gal/100 lbs
Kind of cube	7g	Sizes (L-P-H mm)	770 - 550 - 805
Refrigerant	R404A	(L-P-H in)	30 5/16 - 21 10/16 - 31 11/16
Standard voltage	220-240 V ~ 50 Hz	Sizes with pack (L-P-H mm)	815 - 615 - 980
Electrical consumption	1600 W	(L-P-H in)	32 1/16 - 24 3/16 - 38 9/16
Fuse	20 A	Net weight	90 kg / 198 lbs
Finish	AISI 304 stainless steel, scotch brite	Gross weight	101 kg / 223 lbs

All the technical information need to be considered at the following conditions:
Standard Cube (7 g)
Ambient temperature +21° C
Water temperature +15° C
Electrical consumption at +43° C (standard voltage)


Models and specifications are subject to change without notice

Rev. 01 - Issued January 2016

Modular ice maker up to 414 kg - Vertical evaporator system

Hotel	
Restaurant	
Fast food	
Bar	
Disco	
Fish market	
Supermarket	
Medical & SPA	
Industry	

► **Position n°**



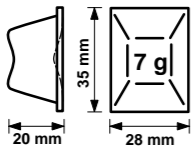
► **Features & Plus**

- Single and crystal cube
- AISI 304 SS Scotch Brite finish
- Tropical class +43°C
- Removable and cleanable air filter
- Air or water cooling system
- Easy cleanable internal rounded surface
- RoHS Free
- Electromechanical operation
- ON-OFF rocker switch
- Automatic washing system
- Standard and special voltages

► **Usable Bins**

- Bin 240PE
- Bin 200
- Bin 350
- Double Roller Bin 100

► **Available ice cube size**




► **Prod. 24h**

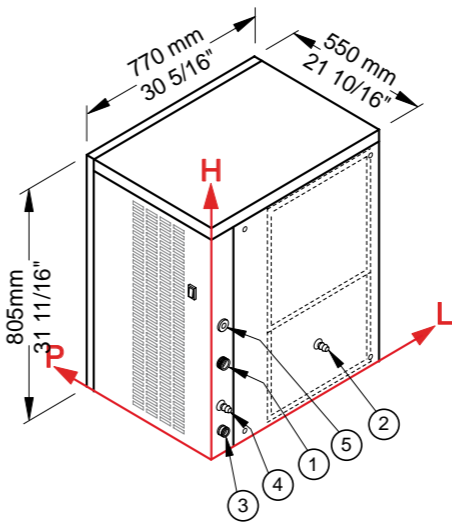
Air temp.	Water temp.		Kg	Lbs
	10° C	50° F		
10° C	50° F	10° C	414	913
21° C	70° F	15° C	400	882

2 Years Warranty
subject to limitations

► **Certifications available for this model**



Modular ice maker up to 414 kg - Vertical evaporator system



► **Working conditions**

- Location: Indoor

	Min	Max
Ambient temperature	+10° C / +50° F	+43° C / 110° F
Water temperature	+3° C / +37° F	+32° C / +90° F
Voltage	-10%	+10%
Water inlet pressure	1bar (14 psi)	6bar (84 psi)

► **Performances**

Air temperature	Water temperature	Water temperature					
		10° C	50° F	15° C	60° F	21° C	70° F
10° C	414 kg						
50° F	913 lbs						
21° C			400 kg				
70° F			882 lbs				
32° C					334 kg		
90° F					736 lbs		

► **Connections**

All measures are referred to the down-left corner (L-H-Ø)

- ① Water in.: 38 mm / 1 8/16" - 252 mm / 9 15/16" - 3/4"
- ② Cond. water in.: 375 mm / 14 12/16" - 115 mm / 4 8/16" - 12 mm / 8/16"
- ③ Water out.: 32 mm / 1 4/16" - 40 mm / 1 9/16" - 24 mm / 15/16"
- ④ Cond. water out.: 28 mm / 1 2/16" - 93 mm / 3 11/16" - 12 mm / 8/16"
- ⑤ Electrical connections: 33 mm / 1 5/16" - 323 mm / 12 11/16"

② ④ Only water cooling systems

► **Technical information**

Production in 24h	400 kg / 882 lbs	Water consumption	A: 1,8 l/kg - 21,5 gal/100 lbs
Cooling system	A - W		W: 13 l/kg - 155,8 gal/100 lbs
Kind of cube	7g	Sizes (L-P-H mm)	770 - 550 - 805
Refrigerant	R404A	(L-P-H in)	30 5/16 - 21 10/16 - 31 11/16
Standard voltage	220-240 V ~ 50 Hz	Sizes with pack (L-P-H mm)	815 - 615 - 980
Electrical consumption	3000 W	(L-P-H in)	32 1/16 - 24 3/16 - 38 9/16
Fuse	32 A	Net weight	113 kg / 249 lbs
Finish	AISI 304 stainless steel, scotch brite	Gross weight	124 kg / 273 lbs

All the technical information need to be considered at the following conditions:
 Standard Cube (7 g)
 Ambient temperature +21° C
 Water temperature +15° C
 Electrical consumption at +43° C (standard voltage)

Models and specifications are subject to change without notice

Rev. 01 - Issued January 2016

Modular ice maker up to 780 kg - Vertical evaporator system

Hotel	
Restaurant	
Fast food	
Bar	
Disco	
Fish market	
Supermarket	
Medical & SPA	
Industry	

► Position n°



► Features & Plus

- Single and crystal cube
- AISI 304 SS Scotch Brite finish
- Tropical class +43°C
- Removable and cleanable air filter
- Easy cleanable internal rounded surface
- RoHS Free
- Electromechanical operation
- ON-OFF rocker switch
- Automatic washing system
- Standard and special voltages



Single and crystal cube



AISI 304 SS Scotch Brite finish

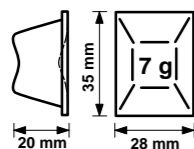


Removable and cleanable air filter

► Usable Bins

- Bin 350

► Available ice cube size



► Prod. 24h

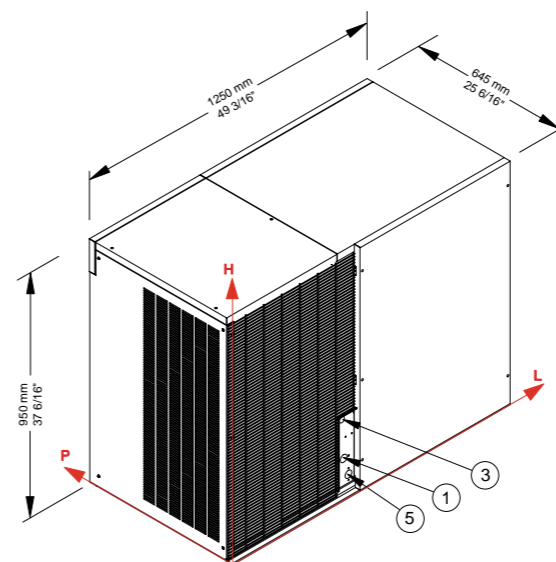
Air temp.	Water temp.		Kg	Lbs	
	10° C	50° F			10° C
10° C	50° F	10° C	50° F	780	1720
21° C	70° F	15° C	60° F	770	1698

2 Years Warranty
subject to limitations

► Certifications available for this model



Modular ice maker up to 780 kg - Vertical evaporator system



► Working conditions

- Location: Indoor

	Min	Max
Ambient temperature	+10° C / +50° F	+43° C / 110° F
Water temperature	+3° C / +37° F	+32° C / +90° F
Voltage	-10%	+10%
Water inlet pressure	1bar (14 psi)	6bar (84 psi)

► Performances

Air temperature	Water temperature	Water temperature				
		10° C	50° F	15° C	60° F	21° C
10° C	780 kg					
50° F	1720 lbs					
21° C			770 kg			
70° F			1698 lbs			
32° C					680 kg	
90° F						1499 lbs

► Connections

All measures are referred to the down-left corner (L-H-Ø)

- ① Water in.: 527 mm / 20 12/16" - 137 mm / 5 6/16" - 3/4"
- ③ Water out.: 550 mm / 21 10/16" - 65 mm / 2 9/16" - 24 mm / 15/16"
- ⑤ Electrical connections: 520 mm / 20 8/16" - 292 mm / 11 8/16"

► Technical information

Production in 24h	770 kg / 1698 lbs
Cooling system	A
Kind of cube	7g
Refrigerant	R404A
Standard voltage	400-415 V ~ 3N 50 Hz
Electrical consumption	4300 W
Fuse	32 A
Finish	AISI 304 stainless steel, scotch brite

Water consumption	A: 1,4 l/kg - 16,7 gal/100 lbs
Sizes (L-P-H mm)	1250 - 645 - 950
(L-P-H in)	49 3/16 - 25 6/16 - 37 6/16
Sizes with pack (L-P-H mm)	1350 - 745 - 1150
(L-P-H in)	53 2/16 - 29 5/16 - 45 4/16
Net weight	186 kg / 410 lbs
Gross weight	242 kg / 534 lbs

All the technical information need to be considered at the following conditions:
Standard Cube (7 g)
Ambient temperature +21° C
Water temperature +15° C
Electrical consumption at +43° C (standard voltage)

Models and specifications are subject to change without notice

Rev. 01 - Issued January 2016

Undercounter ice maker up to 28 kg - Paddle system

Hotel	
Restaurant	
Fast food	
Bar	
Disco	
Fish market	
Supermarket	
Medical & SPA	
Industry	

► Position n°



► Features & Plus

- Hollow cube
- AISI 304 SS Scotch Brite finish
- Tropical class +43°C
- Removable and cleanable air filter
- Air or water cooling system
- Easy cleanable internal rounded surfaces
- HCFC-Free insulated storage
- FDA approved - ABS water basin
- Basin tipping safety system
- RoHS Free
- Disappearing insulated door
- Electromechanical operation
- ON-OFF rocker switch
- Automatic water charge
- Standard and special voltages



AISI 304 SS Scotch Brite finish



Removable and cleanable air filter

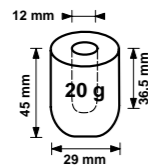


FDA approved - ABS water basin



Disappearing insulated door

► Available ice cube size



► Prod. 24h

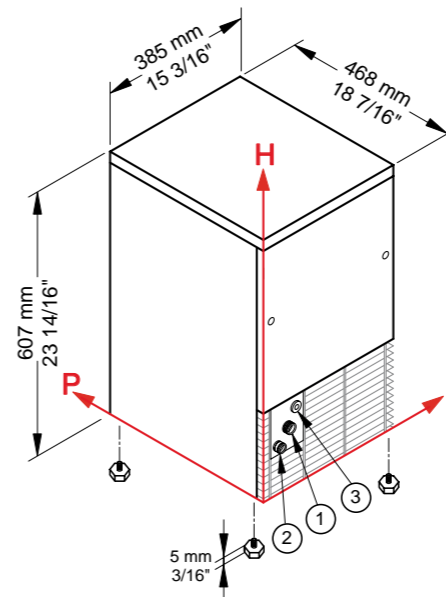
Air temp.	Water temp.		kg	lbs
	10° C	50° F		
10° C	50° F	10° C	28	62
21° C	70° F	15° C	25	55

2 Years Warranty
subject to limitations

► Certifications available for this model



Undercounter ice maker up to 28 kg - Paddle system



► Working conditions

- Location: Indoor

	Min	Max
Ambient temperature	+10° C / +50° F	+43° C / 110° F
Water temperature	+3° C / +37° F	+32° C / +90° F
Voltage	-10%	+10%
Water inlet pressure	1bar (14 psi)	6bar (84 psi)

► Performances

Air temperature	Water temperature	Water temperature				
		10° C	50° F	15° C	60° F	21° C
10° C	28 kg					
50° F	62 lbs					
21° C			25 kg			
70° F			55 lbs			
32° C					17 kg	
90° F					37 lbs	

► Connections

All measures are referred to the rear bottom-left corner (L-H-Ø)

- ① Water in.: 111 mm / 4 6/16" - 175 mm / 6 14/16" - 3/4"
- ② Water out.: 49 mm / 1 15/16" - 130 mm / 5 2/16" - 24 mm / 15/16"
- ③ Electrical connections: 156 mm / 6 2/16" - 211 mm / 8 5/16"

► Technical information

Production in 24h	25 kg / 55 lbs	Water consumption	A: 4,5 l/kg - 53,9 gal/100 lbs
Store capacity, up to	4 kg / 9 lbs		W: 15,5 l/kg - 185,7 gal/100 lbs
Cooling system	A - W	Sizes (L-P-H mm)	385 - 468 - 607
Kind of cube	A-20g	(L-P-H in)	15 3/16 - 18 7/16 - 23 14/16
Refrigerant	R404A	Sizes with pack (L-P-H mm)	440 - 520 - 800
Standard voltage	220-240 V ~ 50 Hz	(L-P-H in)	17 5/16 - 20 8/16 - 31 8/16
Electrical consumption	310 W	Net weight	36 kg / 79 lbs
Fuse	10 A	Gross weight	42 kg / 93 lbs
Finish	AISI 304 stainless steel, scotch brite		

All the technical information must be considered at the following conditions:

- Sizes without feet
- Standard Cube (20 g)
- Ambient temperature +21° C
- Water temperature +15° C
- Electrical consumption at +43° C (standard voltage)

Models and specifications are subject to change without notice

Rev. 01 - Issued January 2016

Undercounter ice maker up to 40 kg - Paddle system

Hotel	■
Restaurant	■
Fast food	■
Bar	■
Disco	■
Fish market	■
Supermarket	■
Medical & SPA	■
Industry	■

► Position n°



► Features & Plus

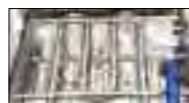
- Hollow cube
- AISI 304 SS Scotch Brite finish
- Tropical class +43°C
- Adjustable Stainless Steel feet
- Removable and cleanable air filter
- Air or water cooling system
- Easy cleanable internal rounded surfaces
- HCFC-Free insulated storage
- FDA approved -ABS water basin
- Basin tipping safety system
- RoHS Free
- Disappearing insulated door
- Electromechanical operation
- ON-OFF rocker switch
- Automatic water charge
- Standard and special voltages



AISI 304 SS Scotch Brite finish



Removable and cleanable air filter

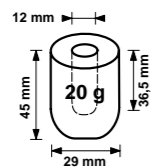


FDA approved - ABS water basin



Disappearing insulated door

► Available ice cube size



► Prod. 24h

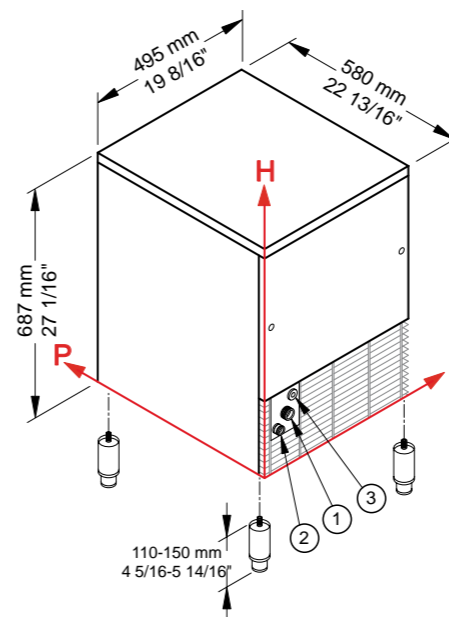
Air temp.	Water temp.		kg	lbs
	10° C	50° F		
10° C	50° F	10° C	40	88
21° C	70° F	15° C	35	77

2 Years Warranty
subject to limitations

► Certifications available for this model



Undercounter ice maker up to 40 kg - Paddle system



► Working conditions

- Location: Indoor

	Min	Max
Ambient temperature	+10° C / +50° F	+43° C / 110° F
Water temperature	+3° C / +37° F	+32° C / +90° F
Voltage	-10%	+10%
Water inlet pressure	1bar (14 psi)	6bar (84 psi)

► Performances

Air temperature	Water temperature	Water temperature				
		10° C	50° F	15° C	60° F	21° C
10° C	40 kg					
50° F	88 lbs					
21° C			35 kg			
70° F			77 lbs			
32° C					24 kg	
90° F						53 lbs

► Connections

All measures are referred to the rear bottom-left corner (L-H-Ø)

- ① Water in.: 111 mm / 4 6/16" - 196 mm / 7 11/16" - 3/4"
- ② Water out.: 49 mm / 1 15/16" - 151 mm / 5 15/16" - 24 mm / 15/16"
- ③ Electrical connections: 156 mm / 6 2/16" - 232 mm / 9 2/16"

► Technical information

Production in 24h	35 kg / 77 lbs	Water consumption	A: 4,4 l/kg - 52,7 gal/100 lbs
Store capacity, up to	15 kg / 33 lbs		W: 13,3 l/kg - 159,4 gal/100 lbs
Cooling system	A - W	Sizes (L-P-H mm)	495 - 580 - 687
Kind of cube	A-20g	(L-P-H in)	19 8/16 - 22 13/16 - 27 1/16
Refrigerant	R404A	Sizes with pack (L-P-H mm)	550 - 630 - 880
Standard voltage	220-240 V ~ 50 Hz	(L-P-H in)	21 10/16 - 24 13/16 - 34 10/16
Electrical consumption	310 W	Net weight	47 kg / 104 lbs
Fuse	10 A	Gross weight	55 kg / 121 lbs
Finish	AISI 304 stainless steel, scotch brite		

All the technical information must be considered at the following conditions:
 Sizes without feet
 Standard Cube (20 g)
 Ambient temperature +21° C
 Water temperature +15° C
 Electrical consumption at +43° C (standard voltage)

Models and specifications are subject to change without notice

Rev. 01 - Issued January 2016

Undercounter ice maker up to 60 kg - Paddle system

Hotel	
Restaurant	
Fast food	
Bar	
Disco	
Fish market	
Supermarket	
Medical & SPA	
Industry	

► Position n°



► Features & Plus

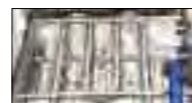
- Hollow cube
- AISI 304 SS Scotch Brite finish
- Tropical class +43°C
- Adjustable Stainless Steel feet
- Removable and cleanable air filter
- Air or water cooling system
- Easy cleanable internal rounded surfaces
- HCFC-Free insulated storage
- FDA approved -ABS water basin
- Basin tipping safety system
- RoHS Free
- Disappearing insulated door
- Electromechanical operation
- ON-OFF rocker switch
- Automatic water charge
- Standard and special voltages



AISI 304 SS Scotch Brite finish



Removable and cleanable air filter

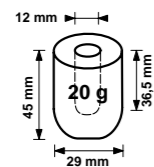


FDA approved - ABS water basin



Disappearing insulated door

► Available ice cube size



► Prod. 24h

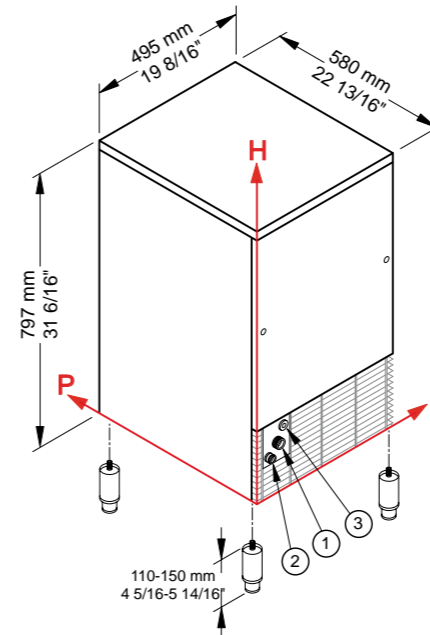
Air temp.		Water temp.		kg	lbs
10° C	50° F	10° C	50° F	60	132
21° C	70° F	15° C	60° F	50	110

2 Years Warranty
subject to limitations

► Certifications available for this model



Undercounter ice maker up to 60 kg - Paddle system



► Working conditions

- Location: Indoor

	Min	Max
Ambient temperature	+10° C / +50° F	+43° C / 110° F
Water temperature	+3° C / +37° F	+32° C / +90° F
Voltage	-10%	+10%
Water inlet pressure	1bar (14 psi)	6bar (84 psi)

► Performances

Air temperature	Water temperature	Water temperature				
		10° C	50° F	15° C	60° F	21° C
10° C	60 kg					
50° F	132 lbs					
21° C	50 kg					
70° F	110 lbs					
32° C	41 kg					
90° F	90 lbs					

► Connections

All measures are referred to the rear bottom-left corner (L-H-Ø)

- ① Water in.: 111 mm / 4 6/16" - 196 mm / 7 11/16" - 3/4"
- ② Water out.: 49 mm / 1 15/16" - 151 mm / 5 15/16" - 24 mm / 15/16"
- ③ Electrical connections: 156 mm / 6 2/16" - 232 mm / 9 2/16"

► Technical information

Production in 24h	50 kg / 110 lbs	Water consumption	A: 3,3 l/kg - 39,5 gal/100 lbs
Store capacity, up to	20 kg / 44 lbs		W: 10,5 l/kg - 125,8 gal/100 lbs
Cooling system	A - W	Sizes (L-P-H mm)	495 - 580 - 797
Kind of cube	A-20g	(L-P-H in)	19 8/16 - 22 13/16 - 31 6/16
Refrigerant	R404A	Sizes with pack (L-P-H mm)	550 - 630 - 990
Standard voltage	220-240 V ~ 50 Hz	(L-P-H in)	21 10/16 - 24 13/16 - 39
Electrical consumption	420 W	Net weight	54 kg / 119 lbs
Fuse	10 A	Gross weight	62 kg / 137 lbs
Finish	AISI 304 stainless steel, scotch brite		

All the technical information must be considered at the following conditions:
 Sizes without feet
 Standard Cube (20 g)
 Ambient temperature +21° C
 Water temperature +15° C
 Electrical consumption at +43° C (standard voltage)

Models and specifications are subject to change without notice

Rev. 01 - Issued January 2016

Undercounter ice maker up to 87 kg - Paddle system

Hotel	
Restaurant	
Fast food	
Bar	
Disco	
Fish market	
Supermarket	
Medical & SPA	
Industry	

► Position n°



► Features & Plus

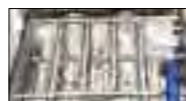
- Hollow cube
- AISI 304 SS Scotch Brite finish
- Tropical class +43°C
- Adjustable Stainless Steel feet
- Removable and cleanable air filter
- Air or water cooling system
- Easy cleanable internal rounded surfaces
- HCFC-Free insulated storage
- FDA approved -ABS water basin
- Basin tipping safety system
- RoHS Free
- Disappearing insulated door
- Electromechanical operation
- ON-OFF rocker switch
- Automatic water charge
- Standard and special voltages



AISI 304 SS Scotch Brite finish



Removable and cleanable air filter

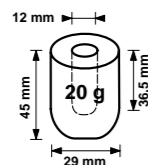


FDA approved - ABS water basin



Disappearing insulated door

► Available ice cube size



► Prod. 24h

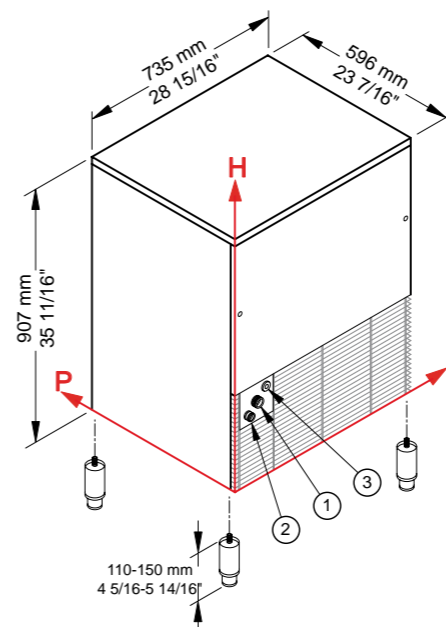
Air temp.	Water temp.		kg	lbs
	10° C	50° F		
10° C	50° F	10° C	87	192
21° C	70° F	15° C	75	165

2 Years Warranty
subject to limitations

► Certifications available for this model



Undercounter ice maker up to 87 kg - Paddle system



► Working conditions

- Location: Indoor

	Min	Max
Ambient temperature	+10° C / +50° F	+43° C / 110° F
Water temperature	+3° C / +37° F	+32° C / +90° F
Voltage	-10%	+10%
Water inlet pressure	1bar (14 psi)	6bar (84 psi)

► Performances

Air temperature	Water temperature					
	10° C	50° F	15° C	60° F	21° C	70° F
10° C	87 kg					
50° F		192 lbs				
21° C			75 kg			
70° F				165 lbs		
32° C					60 kg	
90° F						132 lbs

► Connections

All measures are referred to the rear bottom-left corner (L-H-Ø)

- ① Water in.: 116 mm / 4 9/16" - 285 mm / 11 4/16" - 3/4"
- ② Water out.: 54 mm / 2 2/16" - 240 mm / 9 7/16" - 24 mm / 15/16"
- ③ Electrical connections: 161 mm / 6 5/16" - 321 mm / 12 10/16"

► Technical information

Production in 24h	75 kg / 165 lbs	Water consumption	A: 3,3 l/kg - 39,5 gal/100 lbs
Store capacity, up to	30 kg / 66 lbs		W: 10,5 l/kg - 125,8 gal/100 lbs
Cooling system	A - W	Sizes (L-P-H mm)	735 - 596 - 907
Kind of cube	A-20g	(L-P-H in)	28 15/16 - 23 7/16 - 35 11/16
Refrigerant	R404A	Sizes with pack (L-P-H mm)	780 - 640 - 1085
Standard voltage	220-240 V ~ 50 Hz	(L-P-H in)	30 11/16 - 25 3/16 - 42 11/16
Electrical consumption	480 W	Net weight	75 kg / 165 lbs
Fuse	10 A	Gross weight	87 kg / 192 lbs
Finish	AISI 304 stainless steel, scotch brite		

All the technical information must be considered at the following conditions:
 Sizes without feet
 Standard Cube (20 g)
 Ambient temperature +21° C
 Water temperature +15° C
 Electrical consumption at +43° C (standard voltage)

Models and specifications are subject to change without notice

Rev. 01 - Issued January 2016

Undercounter ice maker up to 59 kg - Pebble system

Hotel	■	■	■	■	■	■	■	■	■	■
Restaurant	■	■	■	■	■	■	■	■	■	■
Fast food	■	■	■	■	■	■	■	■	■	■
Bar	■	■	■	■	■	■	■	■	■	■
Disco	■	■	■	■	■	■	■	■	■	■
Fish market	■	■	■	■	■	■	■	■	■	■
Supermarket	■	■	■	■	■	■	■	■	■	■
Medical & SPA	■	■	■	■	■	■	■	■	■	■
Industry	■	■	■	■	■	■	■	■	■	■

► Position n°



► Features & Plus

- Pebble ice - 91% dry
- 1l (water) - 1kg (ice) - only Air cooled
- AISI 304 SS Scotch Brite finish
- Tropical class +43°C
- Removable and cleanable air filter
- AISI 304 SS evaporator
- Air or water cooling system
- Easy cleanable internal rounded surfaces
- HCFC-Free insulated storage
- Dust-proof water basin
- RoHS Free
- Disappearing insulated door
- Electromechanical operation
- ON-OFF rocker switch
- Automatic water charge
- Standard and special voltages



AISI 304 SS Scotch Brite finish



Removable and cleanable air filter



AISI 304 SS evaporator



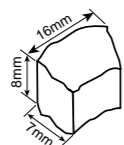
Dust-proof water basin



Disappearing insulated door

► Available pebble size

drawing for reference only



► Prod. 24h

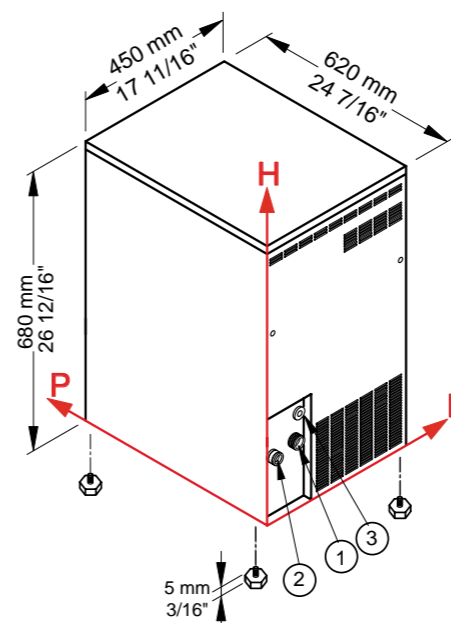
Air temp.	Water temp.		kg	lbs
	10° C	50° F		
10° C	50° F	15° C	59	130
21° C	70° F	15° C	55	121

2 Years Warranty
subject to limitations

► Certifications available for this model



Undercounter ice maker up to 59 kg - Pebble system



► Working conditions

- Location: Indoor

	Min	Max
Ambient temperature	+10° C / +50° F	+43° C / 110° F
Water temperature	+3° C / +37° F	+32° C / +90° F
Voltage	-10%	+10%
Water inlet pressure	1bar (14 psi)	6bar (84 psi)

► Performances

Air temperature	Water temperature					
	10° C	50° F	15° C	60° F	21° C	70° F
10° C	59 kg					
50° F		130 lbs				
21° C			55 kg			
70° F				121 lbs		
32° C					46 kg	
90° F						101 lbs

► Connections

All measures are referred to the rear bottom-left corner (L-H-Ø)

- ① Water in.: 106 mm / 4 3/16" - 135 mm / 5 5/16" - 3/4"
- ② Water out.: 55 mm / 2 3/16" - 140 mm / 5 8/16" - 24 mm / 15/16"
- ③ Electrical connections: 114 mm / 4 8/16" - 218 mm / 8 9/16"

► Technical information

Production in 24h	55 kg / 121 lbs	Water consumption	A: 1 l/kg - 12,0 gal/100 lbs
Store capacity, up to	10 kg / 22 lbs		W: 5,3 l/kg - 63,5 gal/100 lbs
Cooling system	A - W	Sizes (L-P-H mm)	450 - 620 - 680
Approximate pebble size	8 x 16 x 7	(L-P-H in)	17 11/16 - 24 7/16 - 26 12/16
Refrigerant	R404A	Sizes with pack (L-P-H mm)	505 - 675 - 850
Standard voltage	220-240 V ~ 50 Hz	(L-P-H in)	19 14/16 - 26 9/16 - 33 7/16
Electrical consumption	420 W	Net weight	56 kg / 123 lbs
Fuse	10 A	Gross weight	64 kg / 141 lbs
Finish	AISI 304 stainless steel, scotch brite		

All the technical information must be considered at the following conditions:
Ambient temperature +21° C
Water temperature +15° C
Electrical consumption at +43° C (standard voltage)

Models and specifications are subject to change without notice

Rev. 01 - Issued January 2016

Undercounter ice maker up to 96 kg - Pebble system

Hotel	■	■	■	■	■	■	■	■	■
Restaurant	■	■	■	■	■	■	■	■	■
Fast food	■	■	■	■	■	■	■	■	■
Bar	■	■	■	■	■	■	■	■	■
Disco	■	■	■	■	■	■	■	■	■
Fish market	■	■	■	■	■	■	■	■	■
Supermarket	■	■	■	■	■	■	■	■	■
Medical & SPA	■	■	■	■	■	■	■	■	■
Industry	■	■	■	■	■	■	■	■	■

► **Position n°**



► **Features & Plus**

- Pebble ice - 91% dry
- 1l (water) - 1kg (ice) - only Air cooled
- AISI 304 SS Scotch Brite finish
- Tropical class +43°C
- Adjustable Stainless Steel feet
- Removable and cleanable air filter
- AISI 304 SS evaporator
- Air or water cooling system
- Easy cleanable internal rounded surfaces
- HCFC-Free insulated storage
- Dust-proof water basin
- RoHS Free
- Disappearing insulated door
- Electromechanical operation
- ON-OFF rocker switch
- Automatic water charge
- Standard and special voltages





AISI 304 SS Scotch Brite finish



Removable and cleanable air filter



AISI 304 SS evaporator



Dust-proof water basin



Disappearing insulated door

► **Available pebble size**
drawing for reference only



► **Prod. 24h**

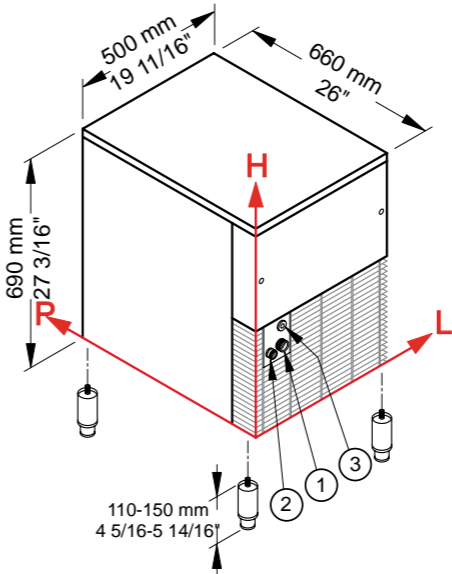
Air temp.	Water temp.		kg	lbs
	10° C	50° F		
10° C	50° F	10° C	96	212
21° C	70° F	15° C	85	187

2 Years Warranty
subject to limitations

► **Certifications available for this model**



Undercounter ice maker up to 96 kg - Pebble system



► **Working conditions**

- Location: Indoor

	Min	Max
Ambient temperature	+10° C / +50° F	+43° C / 110° F
Water temperature	+3° C / +37° F	+32° C / +90° F
Voltage	-10%	+10%
Water inlet pressure	1bar (14 psi)	6bar (84 psi)

► **Performances**

Air temperature		Water temperature				
		10° C	50° F	15° C	60° F	21° C
10° C	96 kg					
50° F	212 lbs					
21° C			85 kg			
70° F			187 lbs			
32° C				71 kg		
90° F					157 lbs	

► **Connections**
All measures are referred to the rear bottom-left corner (L-H-Ø)

① Water in.: 99 mm / 3 14/16" - 158 mm / 6 4/16" - 3/4" ② Water out.: 48 mm / 1 14/16" - 151 mm / 5 15/16" - 24 mm / 15/16"

③ Electrical connections: 87 mm / 3 7/16" - 230 mm / 9 1/16"

► **Technical information**

Production in 24h	85 kg / 187 lbs	Water consumption	A: 1 l/kg - 12,0 gal/100 lbs
Store capacity, up to	20 kg / 44 lbs		W: 6,3 l/kg - 75,5 gal/100 lbs
Cooling system	A - W	Sizes (L-P-H mm)	500 - 660 - 690
Approximate pebble size	8 x 16 x 7	(L-P-H in)	19 11/16 - 26 - 27 3/16
Refrigerant	R404A	Sizes with pack (L-P-H mm)	550 - 720 - 880
Standard voltage	220-240 V ~ 50 Hz	(L-P-H in)	21 10/16 - 28 6/16 - 34 10/16
Electrical consumption	550 W	Net weight	59 kg / 130 lbs
Fuse	10 A	Gross weight	67 kg / 148 lbs
Finish	AISI 304 stainless steel, scotch brite		

All the technical information must be considered at the following conditions:
 Sizes without feet
 Ambient temperature +21° C
 Water temperature +15° C
 Electrical consumption at +43° C (standard voltage)

Models and specifications are subject to change without notice

Rev. 01 - Issued January 2016

Undercounter ice maker up to 150 kg - Pebble system

Hotel	■	■	■	■	■	■	■	■	■
Restaurant	■	■	■	■	■	■	■	■	■
Fast food	■	■	■	■	■	■	■	■	■
Bar	■	■	■	■	■	■	■	■	■
Disco	■	■	■	■	■	■	■	■	■
Fish market	■	■	■	■	■	■	■	■	■
Supermarket	■	■	■	■	■	■	■	■	■
Medical & SPA	■	■	■	■	■	■	■	■	■
Industry	■	■	■	■	■	■	■	■	■

▶ Position n°



▶ Features & Plus

- Pebble ice - 91% dry
- 1l (water) - 1kg (ice) - only Air cooled
- AISI 304 SS Scotch Brite finish
- Tropical class +43°C
- Adjustable Stainless Steel feet
- Removable and cleanable air filter
- AISI 304 SS evaporator
- Air or water cooling system
- Easy cleanable internal rounded surfaces
- HCFC-Free insulated storage
- Dust-proof water basin
- RoHS Free
- Disappearing insulated door
- Electromechanical operation
- ON-OFF rocker switch
- Automatic water charge
- Standard and special voltages



AISI 304 SS Scotch Brite finish



Removable and cleanable air filter



AISI 304 SS evaporator



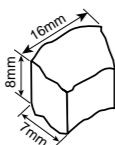
Dust-proof water basin



Disappearing insulated door

▶ Available pebble size

drawing for reference only



▶ Prod. 24h

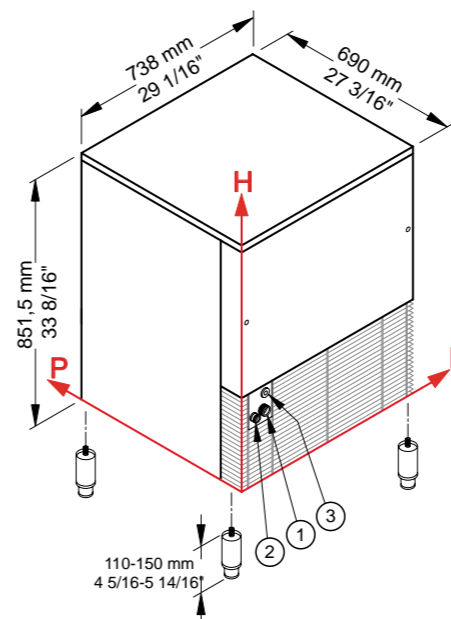
Air temp.	Water temp.	kg	lbs
10° C / 50° F	10° C / 50° F	150	331
21° C / 70° F	15° C / 60° F	140	309

2 Years Warranty
subject to limitations

▶ Certifications available for this model



Undercounter ice maker up to 150 kg - Pebble system



▶ Working conditions

- Location: Indoor

	Min	Max
Ambient temperature	+10° C / +50° F	+43° C / 110° F
Water temperature	+3° C / +37° F	+32° C / +90° F
Voltage	-10%	+10%
Water inlet pressure	1bar (14 psi)	6bar (84 psi)

▶ Performances

	Water temperature	Water temperature					
		10° C	50° F	15° C	60° F	21° C	70° F
Air temperature	10° C	150 kg					
	50° F		331 lbs				
	21° C			140 kg			
	70° F				309 lbs		
	32° C					126 kg	
	90° F						278 lbs

▶ Connections

All measures are referred to the rear bottom-left corner (L-H-Ø)

- ① Water in.: 104 mm / 4 2/16" - 182 mm / 7 3/16" - 3/4" Ø
- ② Water out.: 53 mm / 2 1/16" - 175 mm / 6 14/16" - 24 mm / 15/16" Ø
- ③ Electrical connections: 92 mm / 3 10/16" - 254 mm / 10"

▶ Technical information

Production in 24h	140 kg / 309 lbs	Water consumption	A: 1 l/kg - 12,0 gal/100 lbs
Store capacity, up to	40 kg / 88 lbs		W: 6,4 l/kg - 76,7 gal/100 lbs
Cooling system	A - W	Sizes (L-P-H mm)	738 - 690 - 851,5
Approximate pebble size	8 x 16 x 7	(L-P-H in)	29 1/16 - 27 3/16 - 33 8/16
Refrigerant	R404A	Sizes with pack (L-P-H mm)	780 - 735 - 1015
Standard voltage	220-240 V ~ 50 Hz	(L-P-H in)	30 11/16 - 28 15/16 - 39 15/16
Electrical consumption	650 W	Net weight	90 kg / 198 lbs
Fuse	10 A	Gross weight	100 kg / 220 lbs
Finish	AISI 304 stainless steel, scotch brite		

All the technical information must be considered at the following conditions:

- Sizes without feet
- Ambient temperature +21° C
- Water temperature +15° C
- Electrical consumption at +43° C (standard voltage)

Models and specifications are subject to change without notice

Rev. 01 - Issued January 2016

Undercounter ice maker up to 150 kg - Pebble system

Hotel	<input checked="" type="checkbox"/>	<input checked="" type="checkbox"/>	<input checked="" type="checkbox"/>	<input checked="" type="checkbox"/>
Restaurant	<input checked="" type="checkbox"/>	<input checked="" type="checkbox"/>	<input checked="" type="checkbox"/>	<input checked="" type="checkbox"/>
Fast food	<input checked="" type="checkbox"/>	<input checked="" type="checkbox"/>	<input checked="" type="checkbox"/>	<input checked="" type="checkbox"/>
Bar	<input checked="" type="checkbox"/>	<input checked="" type="checkbox"/>	<input checked="" type="checkbox"/>	<input checked="" type="checkbox"/>
Disco	<input checked="" type="checkbox"/>	<input checked="" type="checkbox"/>	<input checked="" type="checkbox"/>	<input checked="" type="checkbox"/>
Fish market	<input checked="" type="checkbox"/>	<input checked="" type="checkbox"/>	<input checked="" type="checkbox"/>	<input checked="" type="checkbox"/>
Supermarket	<input checked="" type="checkbox"/>	<input checked="" type="checkbox"/>	<input checked="" type="checkbox"/>	<input checked="" type="checkbox"/>
Medical & SPA	<input checked="" type="checkbox"/>	<input checked="" type="checkbox"/>	<input checked="" type="checkbox"/>	<input checked="" type="checkbox"/>
Industry	<input checked="" type="checkbox"/>	<input checked="" type="checkbox"/>	<input checked="" type="checkbox"/>	<input checked="" type="checkbox"/>

► Position n°



► Features & Plus

- Pebble ice - 91% dry
- 1l (water) - 1kg (ice) - only Air cooled
- AISI 304 SS Scotch Brite finish
- Tropical class +43°C
- Adjustable Stainless Steel feet
- Removable and cleanable air filter
- AISI 304 SS evaporator
- Air or water cooling system
- Easy cleanable internal rounded surfaces
- HCFC-Free insulated storage
- Dust-proof water basin
- RoHS Free
- Disappearing insulated door
- Electromechanical operation
- ON-OFF rocker switch
- Automatic water charge
- Standard and special voltages



AISI 304 SS Scotch Brite finish



Removable and cleanable air filter



AISI 304 SS evaporator



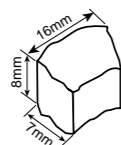
Dust-proof water basin



Disappearing insulated door

► Available pebble size

drawing for reference only



► Prod. 24h

Air temp.	Water temp.	kg	lbs
10° C / 50° F	10° C / 50° F	150	331
21° C / 70° F	15° C / 60° F	140	309

2 Years Warranty
subject to limitations

► Certifications available for this model



Undercounter ice maker up to 150 kg - Pebble system

► Working conditions

- Location: Indoor

	Min	Max
Ambient temperature	+10° C / +50° F	+43° C / 110° F
Water temperature	+3° C / +37° F	+32° C / +90° F
Voltage	-10%	+10%
Water inlet pressure	1bar (14 psi)	6bar (84 psi)

► Performances

Air temperature	Water temperature	Water temperature					
		10° C	50° F	15° C	60° F	21° C	70° F
10° C	150 kg						
50° F	331 lbs						
21° C			140 kg				
70° F			309 lbs				
32° C					126 kg		
90° F					278 lbs		

► Connections

All measures are referred to the rear bottom-left corner (L-H-0)

- ① Water in.: 104 mm / 4 2/16" - 247 mm / 9 12/16" - 3/4"
- ② Water out.: 53 mm / 2 1/16" - 240 mm / 9 7/16" - 24 mm / 15/16"
- ③ Electrical connections: 92 mm / 3 10/16" - 319 mm / 12 9/16"

► Technical information

Production in 24h	140 kg / 309 lbs	Water consumption	A: 1 l/kg - 12,0 gal/100 lbs
Store capacity, up to	50 kg / 110 lbs		W: 6,4 l/kg - 76,7 gal/100 lbs
Cooling system	A - W	Sizes (L-P-H mm)	738 - 690 - 1020
Approximate pebble size	8 x 16 x 7	(L-P-H in)	29 1/16 - 27 3/16 - 40 3/16
Refrigerant	R404A	Sizes with pack (L-P-H mm)	780 - 735 - 1185
Standard voltage	220-240 V ~ 50 Hz	(L-P-H in)	30 11/16 - 28 15/16 - 46 10/16
Electrical consumption	650 W	Net weight	94 kg / 207 lbs
Fuse	10 A	Gross weight	105 kg / 231 lbs
Finish	AISI 304 stainless steel, scotch brite		

All the technical information must be considered at the following conditions:
Sizes without feet
Ambient temperature +21° C
Water temperature +15° C
Electrical consumption at +43° C (standard voltage)

Models and specifications are subject to change without notice

Rev. 01 - Issued January 2016

TM 140

[Next model](#)

Modular ice maker up to 145 kg - Pebble system

Hotel									
Restaurant									
Fast food									
Bar									
Disco									
Fish market									
Supermarket									
Medical & SPA									
Industry									

► Position n°



► Features & Plus

- Pebble ice - 91% dry
- 1l (water) - 1kg (ice) - only Air cooled
- AISI 304 SS Scotch Brite finish
- Tropical class +43°C
- Specific volume 1 m³ = 550 kg of ice
- Removable and cleanable air filter
- AISI 304 SS evaporator
- Air or water cooling system
- Easy cleanable internal rounded surfaces
- Dust-proof water basin
- RoHS Free
- Electromechanical operation
- ON-OFF rocker switch
- Automatic water charge
- Standard and special voltages
- Frame in INOX



► Usable Bins

- Bin 240PE
- Bin 110
- Bin 200
- Roller Bin 100



Removable and cleanable air filter



AISI 304 SS evaporator



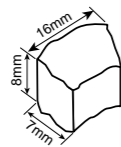
Dust-proof water basin



Frame in INOX

► Available pebble size

drawing for reference only



► Prod. 24h

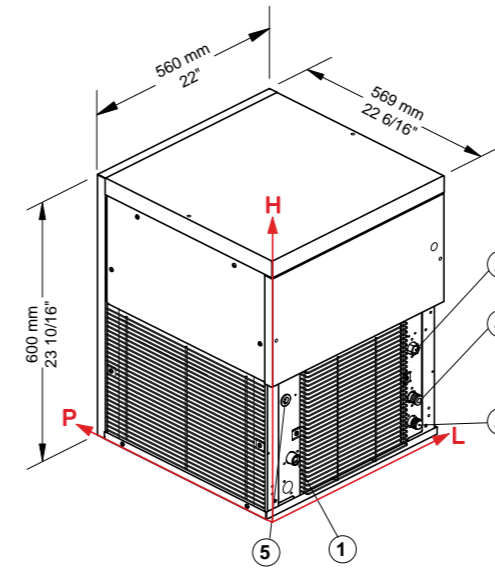
Air temp.	Water temp.		Kg	Lbs
	10° C	50° F		
10° C	50° F	10° C	145	320
21° C	70° F	15° C	140	309

2 Years Warranty
subject to limitations

► Certifications available for this model



Modular ice maker up to 145 kg - Pebble system



► Working conditions

- Location: Indoor

	Min	Max
Ambient temperature	+10° C / +50° F	+43° C / 110° F
Water temperature	+3° C / +37° F	+32° C / +90° F
Voltage	-10%	+10%
Water inlet pressure	1bar (14 psi)	6bar (84 psi)

► Performances

		Water temperature					
		10° C	50° F	15° C	60° F	21° C	70° F
Air temperature	10° C	145 kg					
	50° F		320 lbs				
	21° C			140 kg			
	70° F				309 lbs		
	32° C					136 kg	
	90° F					300 lbs	

► Connections

All measures are referred to the down-left corner (L-H-Ø)

- ① Water in.: 85,5 mm / 3 6/16" - 130 mm / 5 2/16" - 3/4"
- ② Cond. water in.: 479,5 mm / 18 14/16" - 260 mm / 10 4/16" - 3/4"
- ③ Water out.: 479,5 mm / 18 14/16" - 65 mm / 2 9/16" - 24 mm / 15/16"
- ④ Cond. water out.: 479,5 mm / 18 14/16" - 130 mm / 5 2/16" - 24 mm / 8/16"
- ⑤ Electrical connections: 67,5 mm / 2 11/16" - 290 mm / 11 7/16"

► Technical information

Production in 24h	140 kg / 309 lbs	Water consumption	A: 1 l/kg - 12,0 gal/100 lbs
Cooling system	A - W		W: 5,5 l/kg - 65,9 gal/100 lbs
Approximate pebble size	8 x 16 x 7	Sizes (L-P-H mm)	560 - 569 - 600
Refrigerant	R404A	(L-P-H in)	22 - 22 6/16 - 23 10/16
Standard voltage	220-240 V ~ 50 Hz	Sizes with pack (L-P-H mm)	645 - 645 - 810
Electrical consumption	650 W	(L-P-H in)	25 6/16 - 25 6/16 - 31 14/16
Fuse	10 A	Net weight	63 kg / 139 lbs
Finish	AISI 304 stainless steel, scotch brite	Gross weight	74 kg / 163 lbs

All the technical information need to be considered at the following conditions:
Ambient temperature +21° C
Water temperature +15° C
Electrical consumption at +43° C (standard voltage)

Models and specifications are subject to change without notice

Rev. 01 - Issued January 2016

[Back to the model list](#)

Modular ice maker up to 271 kg - Pebble system

Hotel																	
Restaurant																	
Fast food																	
Bar																	
Disco																	
Fish market																	
Supermarket																	
Medical & SPA																	
Industry																	

► Position n°



► Features & Plus

- Pebble ice - 91% dry
- 1l (water) - 1kg (ice) - only Air cooled
- AISI 304 SS Scotch Brite finish
- Tropical class +43°C
- Specific volume 1 m³ = 550 kg of ice
- Removable and cleanable air filter
- AISI 304 SS evaporator
- Air or water cooling system
- Easy cleanable internal rounded surfaces
- Dust-proof water basin
- RoHS Free
- Electromechanical operation
- ON-OFF rocker switch
- Automatic water charge
- Rotation sensor on low speed shaft
- Standard and special voltages
- Frame in INOX



► Usable Bins

- Bin 240PE
- Bin 110
- Bin 200
- Bin 350
- Roller Bin 100
- Double Roller Bin 100



Removable and cleanable air filter



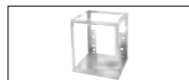
AISI 304 SS evaporator



Dust-proof water basin



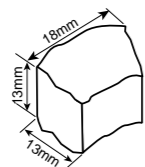
Rotation sensor on low speed shaft



Frame in INOX

► Available pebble size

drawing for reference only



► Prod. 24h

	Air temp.		Water temp.		Kg	Lbs
	10° C	50° F	10° C	50° F		
					271	597
	21° C	70° F	15° C	60° F	250	551

2 Years Warranty
subject to limitations

► Certifications available for this model



Modular ice maker up to 271 kg - Pebble system

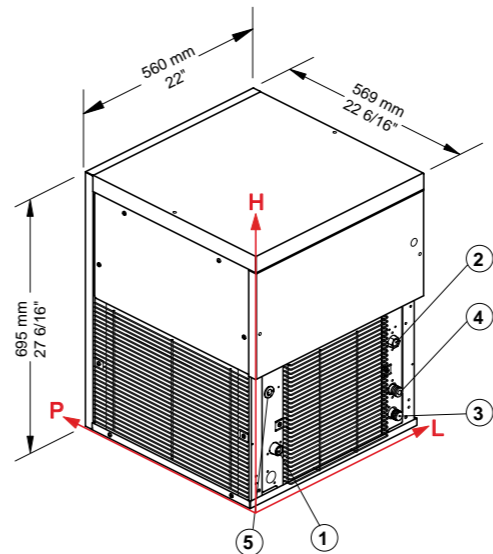
► Working conditions

- Location: Indoor

	Min	Max
Ambient temperature	+10° C / +50° F	+43° C / 110° F
Water temperature	+3° C / +37° F	+32° C / +90° F
Voltage	-10%	+10%
Water inlet pressure	1bar (14 psi)	6bar (84 psi)

► Performances

Air temperature		Water temperature					
		10° C	50° F	15° C	60° F	21° C	70° F
10° C	271 kg						
50° F		597 lbs					
21° C			250 kg				
70° F				551 lbs			
32° C					218 kg		
90° F						481 lbs	



► Connections

All measures are referred to the down-left corner (L-H-Ø)

- ① Water in.: 85,5 mm / 3 6/16" - 130 mm / 5 2/16" - 3/4"
- ② Cond. water in.: 479,5 mm / 18 14/16" - 260 mm / 10 4/16" - 3/4"
- ③ Water out.: 479,5 mm / 18 14/16" - 65 mm / 2 9/16" - 24 mm / 1 5/16"
- ④ Cond. water out.: 479,5 mm / 18 14/16" - 130 mm / 5 2/16" - 24 mm / 1 5/16"
- ⑤ Electrical connections: 67,5 mm / 2 11/16" - 290 mm / 11 7/16"

► Technical information

Production in 24h	250 kg / 551 lbs	Water consumption	A: 1 l/kg - 12,0 gal/100 lbs
Cooling system	A - W		W: 5,2 l/kg - 62,3 gal/100 lbs
Approximate pebble size	13 x 18 x 13	Sizes (L-P-H mm)	560 - 569 - 695
Refrigerant	R404A	(L-P-H in)	22 - 22 6/16 - 27 6/16
Standard voltage	220-240 V ~ 50 Hz	Sizes with pack (L-P-H mm)	645 - 645 - 910
Electrical consumption	1050 W	(L-P-H in)	25 6/16 - 25 6/16 - 35 13/16
Fuse	10 A	Net weight	83 kg / 183 lbs
Finish	AISI 304 stainless steel, scotch brite	Gross weight	93 kg / 205 lbs

All the technical information need to be considered at the following conditions:
Ambient temperature +21° C
Water temperature +15° C
Electrical consumption at +43° C (standard voltage)

Models and specifications are subject to change without notice

Rev. 01 - Issued January 2016

Modular ice maker up to 486 kg - Pebble system

Hotel	■	■	■	■	■	■	■	■	■	■
Restaurant	■	■	■	■	■	■	■	■	■	■
Fast food	■	■	■	■	■	■	■	■	■	■
Bar	■	■	■	■	■	■	■	■	■	■
Disco	■	■	■	■	■	■	■	■	■	■
Fish market	■	■	■	■	■	■	■	■	■	■
Supermarket	■	■	■	■	■	■	■	■	■	■
Medical & SPA	■	■	■	■	■	■	■	■	■	■
Industry	■	■	■	■	■	■	■	■	■	■

► Position n°



► Features & Plus

- Pebble ice - 91% dry
- 1l (water) - 1kg (ice) - only Air cooled
- AISI 304 SS Scotch Brite finish
- Tropical class +43°C
- Specific volume 1 m³ = 550 kg of ice
- Removable and cleanable air filter
- AISI 304 SS evaporator
- Air or water cooling system
- Easy cleanable internal rounded surfaces
- Dust-proof water basin
- RoHS Free
- Electromechanical operation
- ON-OFF rocker switch
- Automatic water charge
- Rotation sensor on low speed shaft
- Standard and special voltages
- Frame in INOX



► Usable Bins

- Bin 240PE
- Bin 110
- Bin 200
- Bin 350
- Bin 550V DS
- Roller Bin 100
- Double Roller Bin 100
- Double Roller Bin 500
- Double Roller Bin 1200



Removable and cleanable air filter



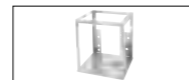
AISI 304 SS evaporator



Dust-proof water basin



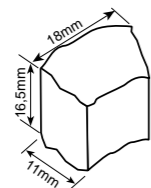
Rotation sensor on low speed shaft



Frame in INOX

► Available pebble size

drawing for reference only



► Prod. 24h

Air temp.	Water temp.		Kg	Lbs	
	10° C	50° F			10° C
10° C	50° F	10° C	50° F	486	1071
21° C	70° F	15° C	60° F	440	970

2 Years Warranty
subject to limitations

► Certifications available for this model



Modular ice maker up to 486 kg - Pebble system

► Working conditions

- Location: Indoor

	Min	Max
Ambient temperature	+10° C / +50° F	+43° C / 110° F
Water temperature	+3° C / +37° F	+32° C / +90° F
Voltage	-10%	+10%
Water inlet pressure	1bar (14 psi)	6bar (84 psi)

► Performances

Air temperature	Water temperature	10° C	50° F	15° C	60° F	21° C	70° F
		10° C	486 kg				
50° F		1071 lbs					
21° C			440 kg				
70° F				970 lbs			
32° C					366 kg		
90° F						807 lbs	

► Connections

All measures are referred to the down-left corner (L-H-Ø)

- ① Water in.: 85,5 mm / 3 6/16" - 130 mm / 5 2/16" - 3/4"
- ② Cond. water in.: 479,5 mm / 18 14/16" - 260 mm / 10 4/16" - 3/4"
- ③ Water out.: 479,5 mm / 18 14/16" - 65 mm / 2 9/16" - 24 mm / 15/16"
- ④ Cond. water out.: 479,5 mm / 18 14/16" - 130 mm / 5 2/16" - 24 mm / 8/16"
- ⑤ Electrical connections: 67,5 mm / 2 11/16" - 290 mm / 11 7/16"
- ② ④ Only for water cooling systems

► Technical information

Production in 24h	440 kg / 970 lbs	Water consumption	A: 1 l/kg - 12,0 gal/100 lbs
Cooling system	A - W		W: 5,8 l/kg - 69,5 gal/100 lbs
Approximate pebble size	16,5 x 18 x 11	Sizes (L-P-H mm)	560 - 569 - 695
Refrigerant	R404A	(L-P-H in)	22 - 22 6/16 - 27 6/16
Standard voltage	220-240 V ~ 50 Hz	Sizes with pack (L-P-H mm)	645 - 645 - 910
Electrical consumption	1700 W	(L-P-H in)	25 6/16 - 25 6/16 - 35 13/16
Fuse	16 A	Net weight	102 kg / 225 lbs
Finish	AISI 304 stainless steel, scotch brite	Gross weight	113 kg / 249 lbs

All the technical information need to be considered at the following conditions:
Ambient temperature +21° C
Water temperature +15° C
Electrical consumption at +43° C (standard voltage)

Models and specifications are subject to change without notice

Rev. 01 - Issued January 2016

Undercounter ice maker up to 66 kg - Granular system

Hotel	■
Restaurant	■
Fast food	■
Bar	■
Disco	■
Fish market	■
Supermarket	■
Medical & SPA	■
Industry	■

► Position n°



► Features & Plus

- Granular ice - 80-82% dry
- 1l (water) - 1kg (ice) - only Air cooled
- AISI 304 SS Scotch Brite finish
- Tropical class +43°C
- Removable and cleanable air filter
- AISI 304 SS evaporator
- Air or water cooling system
- Easy cleanable internal rounded surfaces
- HCFC-Free insulated storage
- Dust-proof water basin
- RoHS Free
- Disappearing insulated door
- Electromechanical operation
- ON-OFF rocker switch
- Automatic water charge
- Standard and special voltages



AISI 304 SS Scotch Brite finish



Removable and cleanable air filter



AISI 304 SS evaporator



Dust-proof water basin



Disappearing insulated door

► Prod. 24h

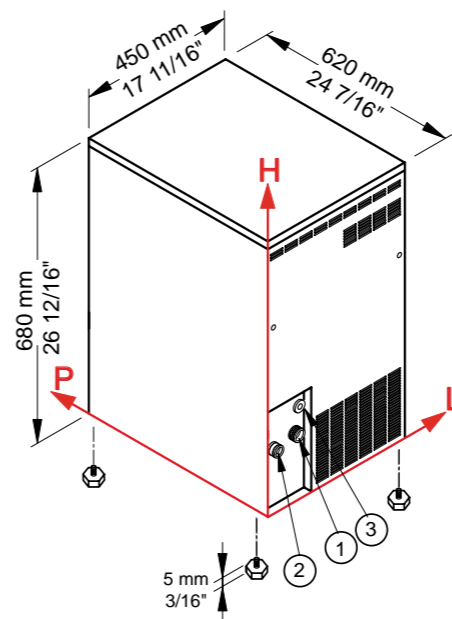
Air temp.	Water temp.		Kg	Lbs
	10° C	50° F		
21° C	70° F	15° C	60	132

2 Years Warranty
subject to limitations

► Certifications available for this model



Undercounter ice maker up to 66 kg - Granular system



► Working conditions

- Location: Indoor

	Min	Max
Ambient temperature	+10° C / +50° F	+43° C / 110° F
Water temperature	+3° C / +37° F	+32° C / +90° F
Voltage	-10%	+10%
Water inlet pressure	1bar (14 psi)	6bar (84 psi)

► Performances

Air temperature	Water temperature					
	10° C	50° F	15° C	60° F	21° C	70° F
10° C	66 kg					
50° F		146 lbs				
21° C			60 kg			
70° F				132 lbs		
32° C					51 kg	
90° F						112 lbs

► Connections

All measures are referred to the rear bottom-left corner (L-H-Ø)

- ① Water in.: 106 mm / 4 3/16" - 135 mm / 5 5/16" - 3/4"
- ② Water out.: 55 mm / 2 3/16" - 140 mm / 5 8/16" - 24 mm / 15/16"
- ③ Electrical connections: 114 mm / 4 8/16" - 218 mm / 8 9/16"

► Technical information

Production in 24h	60 kg / 132 lbs	Water consumption	A: 1 l/kg - 12,0 gal/100 lbs
Store capacity, up to	9 kg / 20 lbs		W: 5,3 l/kg - 63,5 gal/100 lbs
Cooling system	A - W	Sizes (L-P-H mm)	450 - 620 - 680
Refrigerant	R404A	(L-P-H in)	17 11/16 - 24 7/16 - 26 12/16
Standard voltage	220-240 V ~ 50 Hz	Sizes with pack (L-P-H mm)	505 - 675 - 850
Electrical consumption	420 W	(L-P-H in)	19 14/16 - 26 9/16 - 33 7/16
Fuse	10 A	Net weight	56 kg / 123 lbs
Finish	AISI 304 stainless steel, scotch brite	Gross weight	64 kg / 141 lbs

All the technical information need to be considered at the following conditions:
 Sizes without feet
 Ambient temperature +21° C
 Water temperature +15° C
 Electrical consumption at +43° C (standard voltage)

Models and specifications are subject to change without notice

Rev. 01 - Issued January 2016

Undercounter ice maker up to 104 kg - Granular system

Hotel	■
Restaurant	■
Fast food	■
Bar	■
Disco	■
Fish market	■
Supermarket	■
Medical & SPA	■
Industry	■

► Position n°



► Features & Plus

- Granular ice - 80-82% dry
- 1l (water) - 1kg (ice) - only Air cooled
- AISI 304 SS Scotch Brite finish
- Tropical class +43°C
- Adjustable Stainless Steel feet
- Removable and cleanable air filter
- AISI 304 SS evaporator
- Air or water cooling system
- Easy cleanable internal rounded surfaces
- HCFC-Free insulated storage
- Dust-proof water basin
- RoHS Free
- Disappearing insulated door
- Electromechanical operation
- ON-OFF rocker switch
- Automatic water charge
- Standard and special voltages



AISI 304 SS Scotch Brite finish



Removable and cleanable air filter



AISI 304 SS evaporator



Dust-proof water basin



Disappearing insulated door

► Prod. 24h

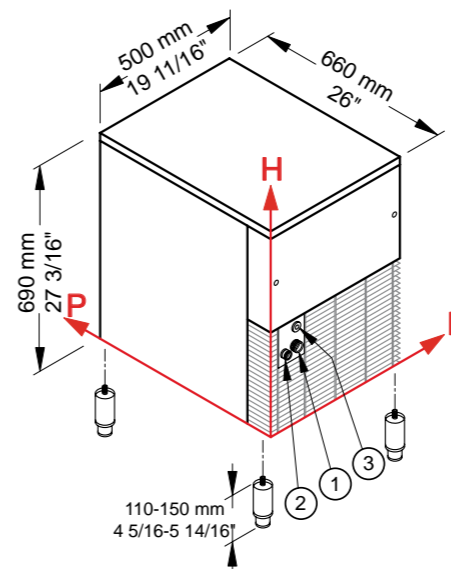
Air temp.	Water temp.		Kg	Lbs	
	10° C	50° F			10° C
21° C	70° F	15° C	60° F	95	209

2 Years Warranty
subject to limitations

► Certifications available for this model



Undercounter ice maker up to 104 kg - Granular system



► Working conditions

- Location: **Indoor**

	Min	Max
Ambient temperature	+10° C / +50° F	+43° C / 110° F
Water temperature	+3° C / +37° F	+32° C / +90° F
Voltage	-10%	+10%
Water inlet pressure	1bar (14 psi)	6bar (84 psi)

► Performances

Air temperature	Water temperature	Water temperature					
		10° C	50° F	15° C	60° F	21° C	70° F
10° C	104 kg						
50° F	229 lbs						
21° C			95 kg				
70° F			209 lbs				
32° C				81 kg			
90° F					179 lbs		

► Connections

All measures are referred to the rear bottom-left corner (L-H-Ø)

- ① Water in.: 99 mm / 3 14/16" - 158 mm / 6 1/4" - 3/4"
- ② Water out.: 48 mm / 1 14/16" - 151 mm / 5 15/16" - 24 mm / 1 5/16"
- ③ Electrical connections: 87 mm / 3 7/16" - 230 mm / 9 1/16"

► Technical information

Production in 24h	95 kg / 209 lbs	Water consumption	A: 1 l/kg - 12,0 gal/100 lbs
Store capacity, up to	20 kg / 44 lbs		W: 6,3 l/kg - 75,5 gal/100 lbs
Cooling system	A - W	Sizes (L-P-H mm)	500 - 660 - 690
Refrigerant	R404A	(L-P-H in)	19 11/16 - 26 - 27 3/16
Standard voltage	220-240 V ~ 50 Hz	Sizes with pack (L-P-H mm)	550 - 720 - 880
Electrical consumption	550 W	(L-P-H in)	21 10/16 - 28 6/16 - 34 10/16
Fuse	10 A	Net weight	59 kg / 130 lbs
Finish	AISI 304 stainless steel, scotch brite	Gross weight	67 kg / 148 lbs

All the technical information need to be considered at the following conditions:
 Sizes without feet
 Ambient temperature +21° C
 Water temperature +15° C
 Electrical consumption at +43° C (standard voltage)

Models and specifications are subject to change without notice

Rev. 01 - Issued January 2016

Undercounter ice maker up to 104 kg - Granular system

Hotel	■	■	■	■	■	■	■	■	■	■	■
Restaurant	■	■	■	■	■	■	■	■	■	■	■
Fast food	■	■	■	■	■	■	■	■	■	■	■
Bar	■	■	■	■	■	■	■	■	■	■	■
Disco	■	■	■	■	■	■	■	■	■	■	■
Fish market	■	■	■	■	■	■	■	■	■	■	■
Supermarket	■	■	■	■	■	■	■	■	■	■	■
Medical & SPA	■	■	■	■	■	■	■	■	■	■	■
Industry	■	■	■	■	■	■	■	■	■	■	■

► Position n°



► Features & Plus

- Granular ice - 80-82% dry
- 1l (water) - 1kg (ice) - only Air cooled
- AISI 304 SS Scotch Brite finish
- Tropical class +43°C
- Adjustable Stainless Steel feet
- Removable and cleanable air filter
- AISI 304 SS evaporator
- Air or water cooling system
- Easy cleanable internal rounded surfaces
- HCFC-Free insulated storage
- Dust-proof water basin
- RoHS Free
- Disappearing insulated door
- Electromechanical operation
- ON-OFF rocker switch
- Automatic water charge
- Standard and special voltages



AISI 304 SS Scotch Brite finish



Removable and cleanable air filter



AISI 304 SS evaporator



Dust-proof water basin



Disappearing insulated door

► Prod. 24h

Air temp.	Water temp.		Kg	Lbs
	10° C	50° F		
10° C	50° F	10° C	104	229
21° C	70° F	15° C	95	209

2 Years Warranty
subject to limitations

► Certifications available for this model



Undercounter ice maker up to 104 kg - Granular system

► Working conditions

- Location: Indoor

	Min	Max
Ambient temperature	+10° C / +50° F	+43° C / 110° F
Water temperature	+3° C / +37° F	+32° C / +90° F
Voltage	-10%	+10%
Water inlet pressure	1bar (14 psi)	6bar (84 psi)

► Performances

Air temperature	Water temperature	Water temperature				
		10° C	50° F	15° C	60° F	21° C
10° C	104 kg					
50° F	229 lbs					
21° C			95 kg			
70° F			209 lbs			
32° C				81 kg		
90° F					179 lbs	

► Connections

All measures are referred to the rear bottom-left corner (L-H-Ø)

- ① Water in.: 99 mm / 3 14/16" - 158 mm / 6 4/16" - 3/4"
- ② Water out.: 48 mm / 1 14/16" - 151 mm / 5 15/16" - 24 mm / 15/16"
- ③ Electrical connections: 87 mm / 3 7/16" - 230 mm / 9 1/16"

► Technical information

Production in 24h	95 kg / 209 lbs	Water consumption	A: 1 l/kg - 12,0 gal/100 lbs
Store capacity, up to	30 kg / 66 lbs		W: 6,3 l/kg - 75,5 gal/100 lbs
Cooling system	A - W	Sizes (L-P-H mm)	500 - 660 - 800
Refrigerant	R404A	(L-P-H in)	19 11/16 - 26 - 31 8/16
Standard voltage	220-240 V ~ 50 Hz	Sizes with pack (L-P-H mm)	550 - 720 - 990
Electrical consumption	550 W	(L-P-H in)	21 10/16 - 28 6/16 - 39
Fuse	10 A	Net weight	67 kg / 148 lbs
Finish	AISI 304 stainless steel, scotch brite	Gross weight	76 kg / 168 lbs

All the technical information need to be considered at the following conditions:
 Sizes without feet
 Ambient temperature +21° C
 Water temperature +15° C
 Electrical consumption at +43° C (standard voltage)

Models and specifications are subject to change without notice

Rev. 01 - Issued January 2016

G 160

Next model

Modular ice maker up to 165 kg - Granular system

Hotel	
Restaurant	
Fast food	
Bar	
Disco	
Fish market	
Supermarket	
Medical & SPA	
Industry	

► Position n°



► Features & Plus

- Granular ice - 80-82% dry
- 1l (water) - 1kg (ice) - only Air cooled
- AISI 304 SS Scotch Brite finish
- Tropical class +43°C
- Specific volume 1 m³ = 550 kg of ice
- Removable and cleanable air filter
- AISI 304 SS evaporator
- Air or water cooling system
- Easy cleanable internal rounded surfaces
- Dust-proof water basin
- RoHS Free
- Electromechanical operation
- ON-OFF rocker switch
- Automatic water charge
- Standard and special voltages
- Frame in INOX



Removable and cleanable air filter



AISI 304 SS evaporator



Dust-proof water basin



Frame in INOX

► Usable Bins

- Bin 240PE
- Bin 110
- Bin 200
- Roller Bin 100

► Prod. 24h

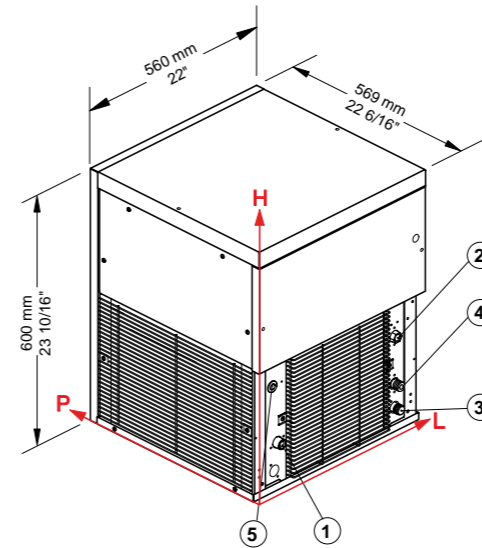
Air temp.	Water temp.		Kg	Lbs	
	10° C	50° F			10° C
10° C	50° F	10° C	50° F	165	364
21° C	70° F	15° C	60° F	160	353

2 Years Warranty
subject to limitations

► Certifications available for this model



Modular ice maker up to 165 kg - Granular system



► Working conditions

- Location: Indoor

	Min	Max
Ambient temperature	+10° C / +50° F	+43° C / 110° F
Water temperature	+3° C / +37° F	+32° C / +90° F
Voltage	-10%	+10%
Water inlet pressure	1bar (14 psi)	6bar (84 psi)

► Performances

Air temperature	Water temperature	Water temperature				
		10° C	50° F	15° C	60° F	21° C
10° C	165 kg					
50° F	364 lbs					
21° C	160 kg					
70° F	353 lbs					
32° C				135 kg		
90° F				298 lbs		

► Connections

All measures are referred to the down-left corner (L-H-Ø)

- ① Water in.: 85,5 mm / 3 6/16" - 130 mm / 5 2/16" - 3/4"
- ② Cond. water in.: 479,5 mm / 18 14/16" - 260 mm / 10 4/16" - 3/4"
- ③ Water out.: 479,5 mm / 18 14/16" - 65 mm / 2 9/16" - 24 mm / 15/16"
- ④ Cond. water out.: 479,5 mm / 18 14/16" - 130 mm / 5 2/16" - 24 mm / 15/16"
- ⑤ Electrical connections: 67,5 mm / 2 11/16" - 290 mm / 11 7/16"

► Technical information

Production in 24h	160 kg / 353 lbs
Cooling system	A - W
Refrigerant	R404A
Standard voltage	220-240 V ~ 50 Hz
Electrical consumption	650 W
Fuse	10 A
Water consumption	A: 1 l/kg - 12,0 gal/100 lbs W: 5,5 l/kg - 65,9 gal/100 lbs

Sizes (L-P-H mm)	560 - 569 - 600
(L-P-H in)	22 - 22 6/16 - 23 10/16
Sizes with pack (L-P-H mm)	645 - 645 - 810
(L-P-H in)	25 6/16 - 25 6/16 - 31 14/16
Net weight	63 kg / 139 lbs
Gross weight	74 kg / 163 lbs
Finish	AISI 304 stainless steel, scotch brite

All the technical information need to be considered at the following conditions:
Ambient temperature +21° C
Water temperature +15° C
Electrical consumption at +43° C (standard voltage)

Models and specifications are subject to change without notice

Rev. 01 - Issued January 2016

Back to the model list

Cover

About

Products

Model series

Contacts

Modular ice maker up to 300 kg - Scale system

Hotel	
Restaurant	
Fast food	
Bar	
Disco	
Fish market	
Supermarket	
Medical & SPA	
Industry	

► Position n°



► Features & Plus

- Sub-cooled scale ice
- 1l (water) - 1kg (ice) - only Air cooled
- AISI 304 SS Scotch Brite finish
- Tropical class +43°C
- Specific volume 1 m³ = 430 kg of ice
- Vertical fixed "no leak" evaporator
- Anticorodal alloy evaporator
- Cleanable antiscala filter
- Air or water cooling system
- FDA approved - ABS plastic components
- Easy cleanable internal rounded surfaces
- RoHS Free
- Electromechanical operation
- Automatic water charge
- Standard and special voltages
- Frame in INOX



Vertical fixed "no leak" evaporator



Cleanable antiscala filter



Frame in INOX

► Usable Bins

- Bin 200
- Bin 350

► Prod. 24h

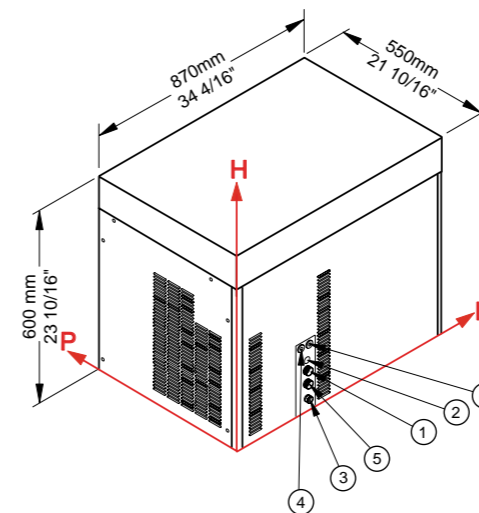
Air temp.	Water temp.		Kg	Lbs
	10° C	50° F		
10° C	50° F	10° C	300	661
21° C	70° F	15° C	250	551

2 Years Warranty
subject to limitations

► Certifications available for this model



Modular ice maker up to 300 kg - Scale system



► Working conditions

- Location: Indoor

	Min	Max
Ambient temperature	+10° C / +50° F	+43° C / 110° F
Water temperature	+3° C / +37° F	+32° C / +90° F
Voltage	-10%	+10%
Water inlet pressure	1bar (14 psi)	6bar (84 psi)

► Performances

Air temperature	Water temperature	Water temperature					
		10° C	50° F	15° C	60° F	21° C	70° F
10° C	300 kg						
50° F	661 lbs						
21° C		250 kg					
70° F			551 lbs				
32° C				200 kg			
90° F					441 lbs		

► Connections

All measures are referred to the down-left corner (L-H-Ø)

- ① Water in.: 279 mm / 11" - 140 mm / 5 8/16" - 3/4"
- ② Cond. water in.: 279 mm / 11" - 195 mm / 7 11/16" - 3/4"
- ③ Water out.: 279 mm / 11" - 45 mm / 1 12/16" - 24 mm / 15/16"
- ④ Electrical connections: 258 mm / 10 3/16" - 247 mm / 9 12/16"
- ⑤ Cond. water out.: 279 mm / 11" - 90 mm / 3 9/16" - 24 mm / 15/16"
- ⑥ Remote connections.: 298 mm / 11 12/16" - 247 mm / 9 12/16"
- ② ③ Only for water cooling systems

► Technical information

Production in 24h	250 kg / 551 lbs	Sizes (L-P-H mm)	870 - 550 - 600
Cooling system	A - W	(L-P-H in)	34 4/16 - 21 10/16 - 23 10/16
Refrigerant	R404A	Sizes with pack (L-P-H mm)	955 - 625 - 770
Standard voltage	220-240 V ~ 50 Hz	(L-P-H in)	37 10/16 - 24 10/16 - 30 5/16
Electrical consumption	1700 W	Net weight	100 kg / 220 lbs
Fuse	16 A	Gross weight	120 kg / 265 lbs
Water consumption	A: 1 l/kg - 12,0 gal/100 lbs	Finish	AISI 304 stainless steel, scotch brite
	W: 7,5 l/kg - 89,9 gal/100 lbs		

All the technical information need to be considered at the following conditions:
Ambient temperature +21° C
Water temperature +15° C
Electrical consumption at +43° C (standard voltage)

Models and specifications are subject to change without notice

Rev. 01 - Issued January 2016

Modular ice maker up to 446 kg - Scale system

Hotel	
Restaurant	
Fast food	
Bar	
Disco	
Fish market	
Supermarket	
Medical & SPA	
Industry	

► Position n°



► Features & Plus

- Sub-cooled scale ice
- 1l (water) - 1kg (ice) - only Air cooled
- AISI 304 SS Scotch Brite finish
- Tropical class +43°C
- Specific volume 1 m³ = 430 kg of ice
- Vertical fixed "no leak" evaporator
- AISI 304 SS evaporator
- Cleanable antiscala filter
- Air or water cooling system
- FDA approved - ABS plastic components
- Easy cleanable internal rounded surfaces
- RoHS Free
- Electromechanical operation
- Automatic water charge
- Standard and special voltages
- Frame in INOX



Vertical fixed "no leak" evaporator



Cleanable antiscala filter



Frame in INOX

► Usable Bins

- Bin 350
- Bin 550V DS
- Double Roller Bin 100

► Prod. 24h

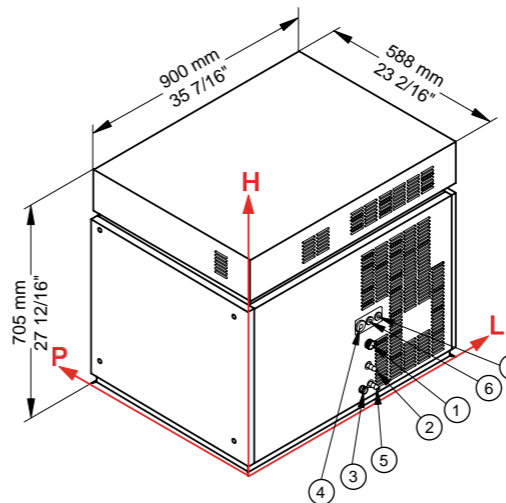
Air temp.	Water temp.		Kg	Lbs
	10° C	50° F		
10° C	50° F	10° C	446	983
21° C	70° F	15° C	400	882

2 Years Warranty
subject to limitations

► Certifications available for this model



Modular ice maker up to 446 kg - Scale system



► Working conditions

- Location: Indoor

	Min	Max
Ambient temperature	+10° C / +50° F	+43° C / 110° F
Water temperature	+3° C / +37° F	+32° C / +90° F
Voltage	-10%	+10%
Water inlet pressure	1bar (14 psi)	6bar (84 psi)

► Performances

Air temperature	Water temperature	Water temperature				
		10° C	50° F	15° C	60° F	21° C
10° C	446 kg					
50° F	983 lbs					
21° C		400 kg				
70° F			882 lbs			
32° C				360 kg		
90° F					794 lbs	

► Connections

All measures are referred to the down-left corner (L-H-Ø)

- ① Water in.: 463 mm / 18 4/16" - 187 mm / 7 6/16" - 3/4"
- ② Cond. water in.: 463 mm / 18 4/16" - 120 mm / 4 12/16" - 12 mm / 8/16"
- ③ Water out.: 428 mm / 16 14/16" - 60 mm / 2 6/16" - 24 mm / 15/16"
- ④ Electrical connections: 434 mm / 17 1/16" - 257 mm / 10 2/16"
- ⑤ Cond. water out.: 472 mm / 18 9/16" - 60 mm / 2 6/16" - 12 mm / 8/16"
- ⑥ Remote connections.: 473 mm / 18 10/16" - 257 mm / 10 2/16"
- ⑦ Connection to DRB 500: 510 mm / 20 3/16" - 257 mm / 10 3/16"
- ② ③ Only for water cooling systems

► Technical information

Production in 24h	400 kg / 882 lbs	Sizes (L-P-H mm)	900 - 588 - 705
Cooling system	A - W	(L-P-H in)	35 7/16 - 23 2/16 - 27 12/16
Refrigerant	R404A	Sizes with pack (L-P-H mm)	965 - 655 - 880
Standard voltage	220-240 V ~ 50 Hz	(L-P-H in)	38 - 25 13/16 - 34 10/16
Electrical consumption	2100 W	Net weight	137 kg / 302 lbs
Fuse	16 A	Gross weight	152 kg / 335 lbs
Water consumption	A: 1 l/kg - 12,0 gal/100 lbs	Finish	AISI 304 stainless steel, scotch brite
	W: 7,5 l/kg - 89,9 gal/100 lbs		

All the technical information need to be considered at the following conditions:
Ambient temperature +21° C
Water temperature +15° C
Electrical consumption at +43° C (standard voltage)

Models and specifications are subject to change without notice

Rev. 01 - Issued January 2016

Modular ice maker up to 670 kg - Scale system

Hotel	■
Restaurant	■
Fast food	■
Bar	■
Disco	■
Fish market	■
Supermarket	■
Medical & SPA	■
Industry	■

► Position n°



► Features & Plus

- Sub-cooled scale ice 99% dry
- 1l (water) - 1kg (ice) - only Air cooled
- AISI 304 SS Scotch Brite finish
- Tropical class +43°C
- Specific volume 1 m³ = 430 kg of ice
- Vertical fixed "no leak" evaporator
- Anticorodal alloy evaporator
- Removable and cleanable air filter
- Cleanable antiscaling filter
- Air or water cooling system
- FDA approved - ABS plastic components
- Easy cleanable internal rounded surfaces
- RoHS Free
- Electromechanical operation
- Automatic water charge
- Standard and special voltages
- Frame in INOX



Vertical fixed "no leak" evaporator



Removable and cleanable air filter



Cleanable antiscaling filter



Frame in INOX

► Usable Bins

- Bin 350
- Bin 550V DS
- Double Roller Bin 100
- Double Roller Bin 500
- Double Roller Bin 1200

► Prod. 24h

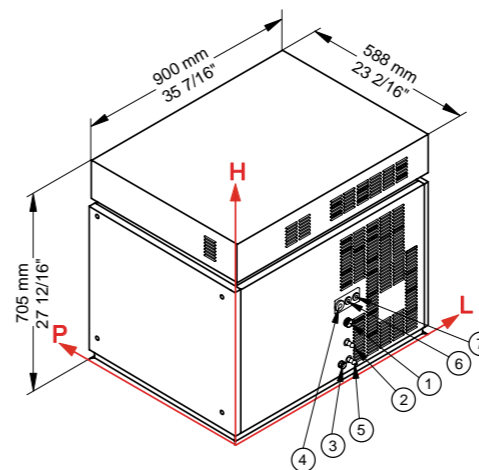
Air temp.	Water temp.		Kg	Lbs
	10° C	50° F		
10° C	50° F	15° C	670	1477
21° C	70° F	60° F	620	1367

2 Years Warranty
subject to limitations

► Certifications available for this model



Modular ice maker up to 670 kg - Scale system



► Working conditions

- Location: Indoor

	Min	Max
Ambient temperature	+10° C / +50° F	+43° C / 110° F
Water temperature	+3° C / +37° F	+32° C / +90° F
Voltage	-10%	+10%
Water inlet pressure	1bar (14 psi)	6bar (84 psi)

► Performances

Air temperature	Water temperature	Water temperature				
		10° C	50° F	15° C	60° F	21° C
10° C	670 kg					
50° F	1477 lbs					
21° C			620 kg			
70° F			1367 lbs			
32° C					520 kg	
90° F					1146 lbs	

► Connections

All measures are referred to the down-left corner (L-H-Ø)

- ① Water in.: 463 mm / 18 4/16" - 187 mm / 7 6/16" - 3/4"
- ② Cond. water in.: 463 mm / 18 4/16" - 120 mm / 4 12/16" - 12 mm / 8/16"
- ③ Water out.: 428 mm / 16 14/16" - 60 mm / 2 6/16" - 24 mm / 15/16"
- ④ Electrical connections: 434 mm / 17 1/16" - 257 mm / 10 2/16"
- ⑤ Cond. water out.: 472 mm / 18 9/16" - 60 mm / 2 6/16" - 12 mm / 8/16"
- ⑥ Remote connections.: 473 mm / 18 10/16" - 257 mm / 10 2/16"
- ⑦ Connection to DRB 500: 510 mm / 20 3/16" - 257 mm / 10 3/16"
- ② ③ Only for water cooling systems

► Technical information

Production in 24h	620 kg / 1367 lbs	Sizes (L-P-H mm)	900 - 588 - 705
Cooling system	A - W	(L-P-H in)	35 7/16 - 23 2/16 - 27 12/16
Refrigerant	R404A	Sizes with pack (L-P-H mm)	965 - 655 - 880
Standard voltage	400-415 V ~ 3N 50 Hz	(L-P-H in)	38 - 25 13/16 - 34 10/16
Electrical consumption	3000 W	Net weight	151 kg / 333 lbs
Fuse	16 A	Gross weight	166 kg / 366 lbs
Water consumption	A: 1 l/kg - 12,0 gal/100 lbs	Finish	AISI 304 stainless steel, scotch brite
	W: 7,4 l/kg - 88,7 gal/100 lbs		

All the technical information need to be considered at the following conditions:
Ambient temperature +21° C
Water temperature +15° C
Electrical consumption at +43° C (standard voltage)

Models and specifications are subject to change without notice

Rev. 01 - Issued January 2016

Modular ice maker up to 915 kg - Scale system

Hotel	■
Restaurant	■
Fast food	■
Bar	■
Disco	■
Fish market	■
Supermarket	■
Medical & SPA	■
Industry	■

► Position n°



► Features & Plus

- Sub-cooled scale ice 99% dry
- 1l (water) - 1kg (ice) - only Air cooled
- AISI 304 SS Scotch Brite finish
- Tropical class +43°C
- Specific volume 1 m³ = 430 kg of ice
- Vertical fixed "no leak" evaporator
- AISI 304 SS evaporator
- Removable and cleanable air filter
- Cleanable antiscaling filter
- Air or water cooling system
- FDA approved - ABS plastic components
- Easy cleanable internal rounded surfaces
- RoHS Free
- Electromechanical operation
- Automatic water charge
- Standard and special voltages
- Frame in INOX



Vertical fixed "no leak" evaporator



Removable and cleanable air filter



Cleanable antiscaling filter



Frame in INOX

► Usable Bins

- Bin 350
- Bin 550V DS
- Double Roller Bin 100
- Double Roller Bin 500

► Prod. 24h

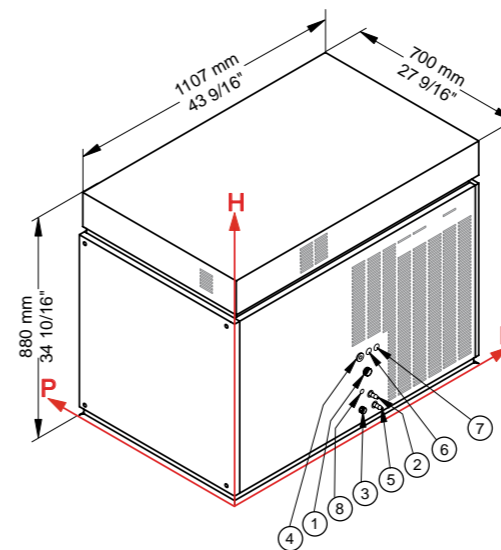
Air temp.		Water temp.		Kg	Lbs
10° C	50° F	10° C	50° F		
				915	2017
21° C	70° F	15° C	60° F	900	1984

2 Years Warranty
subject to limitations

► Certifications available for this model



Modular ice maker up to 915 kg - Scale system



► Working conditions

- Location: Indoor

	Min	Max
Ambient temperature	+10° C / +50° F	+43° C / 110° F
Water temperature	+3° C / +37° F	+32° C / +90° F
Voltage	-10%	+10%
Water inlet pressure	1bar (14 psi)	6bar (84 psi)

► Performances

Air temperature	Water temperature	Water temperature					
		10° C	50° F	15° C	60° F	21° C	70° F
10° C	915 kg						
50° F	2017 lbs						
21° C			900 kg				
70° F			1984 lbs				
32° C				790 kg			
90° F					1742 lbs		

► Connections

All measures are referred to the down-left corner (L-H-Ø)

- ① Water in.: 563 mm / 22 3/16" - 192 mm / 7 9/16" - 3/4"
- ② Cond. water in.: 563 mm / 22 3/16" - 125 mm / 4 15/16" - 12 mm / 8/16"
- ③ Water out.: 528 mm / 20 13/16" - 65 mm / 2 9/16" - 24 mm / 15/16"
- ④ Electrical connections: 532 mm / 20 15/16" - 262 mm / 10 5/16"
- ⑤ Cond. water out.: 573 mm / 22 9/16" - 65 mm / 2 6/16" - 12 mm / 8/16"
- ⑥ Remote connections.: 574 mm / 22 10/16" - 262 mm / 10 5/16"
- ⑦ Connection to DRB 500: 608 mm / 24 15/16" - 262 mm / 10 5/16"
- ⑧ Connection to feed pump: 515 mm / 20 5/16" - 159 mm / 10 5/16"
- ② ③ Only for water cooling systems

► Technical information

Production in 24h	900 kg / 1984 lbs	Sizes (L-P-H mm)	1107 - 700 - 880
Cooling system	A - W	(L-P-H in)	43 9/16 - 27 9/16 - 34 10/16
Refrigerant	R404A	Sizes with pack (L-P-H mm)	1210 - 800 - 1095
Standard voltage	400-415 V ~ 3N 50 Hz	(L-P-H in)	47 10/16 - 31 8/16 - 43 2/16
Electrical consumption	4600 W	Net weight	241 kg / 531 lbs
Fuse	16 A	Gross weight	262 kg / 578 lbs
Water consumption	A: 1 l/kg - 12,0 gal/100 lbs	Finish	AISI 304 stainless steel, scotch brite
	W: 6,9 l/kg - 82,7 gal/100 lbs		

All the technical information need to be considered at the following conditions:
Ambient temperature +21° C
Water temperature +15° C
Electrical consumption at +43° C (standard voltage)

Models and specifications are subject to change without notice

Rev. 01 - Issued January 2016

Modular ice maker up to 1560 kg - Scale system

Hotel	■
Restaurant	■
Fast food	■
Bar	■
Disco	■
Fish market	■
Supermarket	■
Medical & SPA	■
Industry	■

► Position n°



► Features & Plus

- Sub-cooled scale ice 99% dry
- 1l (water) - 1kg (ice) - only Air cooled
- AISI 304 SS Scotch Brite finish
- Tropical class +43°C
- Specific volume 1 m³ = 430 kg of ice
- Vertical fixed "no leak" evaporator
- Anticorodal alloy evaporator
- Removable and cleanable air filter
- Cleanable antiscaling filter
- Air or water cooling system
- FDA approved - ABS plastic components
- Easy cleanable internal rounded surfaces
- RoHS Free
- Electromechanical operation
- Automatic water charge
- Standard and special voltages
- Frame in INOX



Vertical fixed "no leak" evaporator



Removable and cleanable air filter



Cleanable antiscaling filter



Frame in INOX

► Usable Bins

- Bin 550V DS
- Double Roller Bin 500
- Double Roller Bin 1200

► Prod. 24h

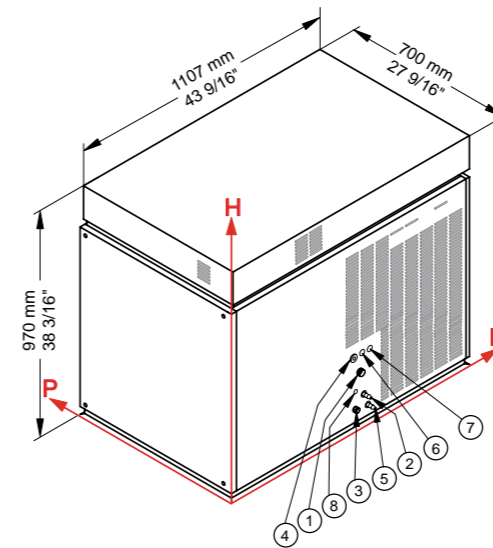
Air temp.		Water temp.		Kg	Lbs
10° C	50° F	10° C	50° F		
				1560	3439
21° C	70° F	15° C	60° F	1500	3307

2 Years Warranty
subject to limitations

► Certifications available for this model



Modular ice maker up to 1560 kg - Scale system



► Working conditions

- Location: Indoor

	Min	Max
Ambient temperature	+10° C / +50° F	+43° C / 110° F
Water temperature	+3° C / +37° F	+32° C / +90° F
Voltage	-10%	+10%
Water inlet pressure	1bar (14 psi)	6bar (84 psi)

► Performances

Air temperature	Water temperature	Water temperature					
		10° C	50° F	15° C	60° F	21° C	70° F
10° C	1560 kg						
50° F	3439 lbs						
21° C		1500 kg					
70° F			3307 lbs				
32° C				1200 kg			
90° F					2646 lbs		

► Connections

All measures are referred to the down-left corner (L-H-Ø)

- ① Water in.: 563 mm / 22 3/16" - 192 mm / 7 9/16" - 3/4"
- ② Cond. water in.: 563 mm / 22 3/16" - 125 mm / 4 15/16" - 12 mm / 8/16"
- ③ Water out.: 528 mm / 20 13/16" - 65 mm / 2 9/16" - 24 mm / 15/16"
- ④ Electrical connections: 532 mm / 20 15/16" - 262 mm / 10 5/16"
- ⑤ Cond. water out.: 573 mm / 22 9/16" - 65 mm / 2 6/16" - 12 mm / 8/16"
- ⑥ Remote connections.: 574 mm / 22 10/16" - 262 mm / 10 5/16"
- ⑦ Connection to DRB 500: 608 mm / 24 15/16" - 262 mm / 10 5/16"
- ⑧ Connection to feed pump: 515 mm / 20 5/16" - 159 mm / 10 5/16"
- ② ③ Only for water cooling systems

► Technical information

Production in 24h	1500 kg / 3307 lbs	Sizes (L-P-H mm)	1107 - 700 - 970
Cooling system	A - W	(L-P-H in)	43 9/16 - 27 9/16 - 38 3/16
Refrigerant	R404A	Sizes with pack (L-P-H mm)	1210 - 800 - 1185
Standard voltage	400-415 V ~ 3N 50 Hz	(L-P-H in)	47 10/16 - 31 8/16 - 46 10/16
Electrical consumption	6000 W	Net weight	306 kg / 675 lbs
Fuse	32 A	Gross weight	342 kg / 754 lbs
Water consumption	A: 1 l/kg - 12,0 gal/100 lbs W: 7 l/kg - 83,9 gal/100 lbs	Finish	AISI 304 stainless steel, scotch brite

All the technical information need to be considered at the following conditions:
Ambient temperature +21° C
Water temperature +15° C
Electrical consumption at +21° C (standard voltage)

Models and specifications are subject to change without notice

Rev. 01 - Issued January 2016

Modular ice maker up to 2450 kg - Scale system

Hotel	
Restaurant	
Fast food	
Bar	
Disco	
Fish market	
Supermarket	
Medical & SPA	
Industry	

▶ Position n°



▶ Features & Plus

- Sub-cooled scale ice 99% dry
- 1l (water) - 1kg (ice) - only Air cooled
- AISI 304 SS Scotch Brite finish
- Tropical class +43°C
- Specific volume 1 m³ = 430 kg of ice
- Vertical fixed "no leak" evaporator
- AISI 304 SS evaporator
- Removable and cleanable air filter
- Cleanable antiscaling filter
- FDA approved - ABS plastic components
- Easy cleanable internal rounded surfaces
- RoHS Free
- Electromechanical operation
- Automatic water charge
- Standard and special voltages
- Frame in INOX



Vertical fixed "no leak" evaporator



Removable and cleanable air filter



Cleanable antiscaling filter



Frame in INOX

▶ Prod. 24h

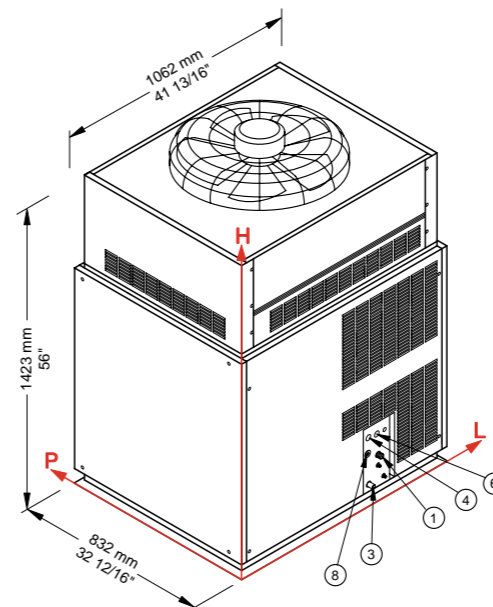
Air temp.	Water temp.		Kg	Lbs
	10° C	50° F		
10° C	50° F	15° C	2450	5401
21° C	70° F	60° F	2300	5071

2 Years Warranty
subject to limitations

▶ Certifications available for this model



Modular ice maker up to 2450 kg - Scale system



▶ Working conditions

- Location: Indoor

	Min	Max
Ambient temperature	+10° C / +50° F	+43° C / 110° F
Water temperature	+3° C / +37° F	+32° C / +90° F
Voltage	-10%	+10%
Water inlet pressure	1bar (14 psi)	6bar (84 psi)

▶ Performances

Air temperature		Water temperature				
		10° C	50° F	15° C	60° F	21° C
10° C	2450 kg					
50° F	5401 lbs					
21° C			2300 kg			
70° F				5071 lbs		
32° C					2034 kg	
90° F						4484 lbs

▶ Connections

All measures are referred to the down-left corner (L-H-Ø)

- ① Water in.: 684 mm / 26 15/16" - 192 mm / 7 9/16" - 3/4"
- ④ Electrical connections: 651 mm / 25 10/16" - 271 mm / 10 11/16"
- ⑧ Connection to feed pump: 640 mm / 25 3/16" - 232 mm / 9 2/16"

- ③ Water out.: 659 mm / 25 15/16" - 65 mm / 2 9/16" - 24 mm / 15/16"
- ⑥ Remote connections.: 693 mm / 27 5/16" - 271 mm / 10 11/16"

▶ Technical information

Production in 24h	2300 kg / 5071 lbs	Sizes (L-P-H mm)	1062 - 832 - 1423
Cooling system	A	(L-P-H in)	41 13/16 - 32 12/16 - 56
Refrigerant	R404A	Sizes with pack (L-P-H mm)	1150 - 960 - 1700
Standard voltage	400-415 V ~ 3N 50 Hz	(L-P-H in)	45 4/16 - 37 13/16 - 66 15/16
Electrical consumption	7000 W	Net weight	520 kg / 1146 lbs
Fuse	32 A	Gross weight	570 kg / 1257 lbs
Water consumption	A: 1 l/kg - 12,0 gal/100 lbs	Finish	AISI 304 stainless steel, scotch brite

All the technical information need to be considered at the following conditions:
Ambient temperature +21° C
Water temperature +15° C
Electrical consumption at +21° C (standard voltage)

Models and specifications are subject to change without notice

Rev. 01 - Issued January 2016

Modular ice maker 400 kg - Scale system

Hotel	
Restaurant	
Fast food	
Bar	
Disco	
Fish market	
Supermarket	
Medical & SPA	
Industry	

► Position n°



► Features & Plus

- Sub-cooled scale ice 99% dry
- 1l (water) - 1kg (ice) - only Air cooled
- AISI 304 SS Scotch Brite finish
- Tropical class +43°C
- Specific volume 1 m³ = 430 kg of ice
- Vertical fixed "no leak" evaporator
- AISI 304 SS evaporator
- Cleanable antiscaling filter
- FDA approved - ABS plastic components
- Easy cleanable internal rounded surfaces
- RoHS Free
- Automatic water charge
- Standard and special voltages



AISI 304 SS Scotch Brite finish



Vertical fixed "no leak" evaporator



Cleanable antiscaling filter

► Usable Bins

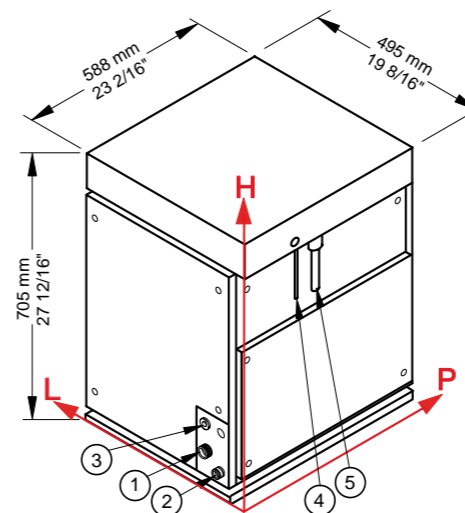
- Bin 350
- Bin 550V DS
- Double Roller Bin 100

2 Years Warranty
subject to limitations

► Certifications available for this model



Modular ice maker 400 kg - Scale system



► Working conditions

- Location: Indoor

	Min	Max
Ambient temperature	+10° C / +50° F	+43° C / 110° F
Water temperature	+3° C / +37° F	+32° C / +90° F
Voltage	-10%	+10%
Water inlet pressure	1bar (14 psi)	6bar (84 psi)

► Connections

- ① Water inlet
- ② Water outlet
- ③ Electrical connection
- ④ Refrigerant feeding pipe
- ⑤ Outlet pipe of gaseous refrigerant

► Technical information

Production in 24h	400 kg / 882 lbs
Refrigerant	R404A - R507
Refrigerant capacity	2200 W (evap. temp. -23° C)
Water consumption	1 l/kg - 12,0 gal/100 lbs
Standard voltage	220-240 V ~ 50 Hz
Electrical consumption	180 W
Finish	AISI 304 stainless steel, scotch brite

Sizes (L-P-H mm)	495 - 588 - 705
(L-P-H in)	19 8/16 - 23 2/16 - 27 12/16
Sizes with pack (L-P-H mm)	550 - 655 - 900
(L-P-H in)	21 10/16 - 25 13/16 - 35 7/16
Net weight	66 kg / 146 lbs
Gross weight	82 kg / 181 lbs

All the technical information need to be considered at the following conditions:
Ambient temperature +21° C
Water temperature +15° C
Electrical consumption at +43° C (standard voltage)

Models and specifications are subject to change without notice

Rev. 01 - Issued January 2016

Modular ice maker 620 kg - Scale system

Hotel	
Restaurant	
Fast food	
Bar	
Disco	
Fish market	
Supermarket	
Medical & SPA	
Industry	

► Position n°



► Features & Plus

- Sub-cooled scale ice 99% dry
- 1l (water) - 1kg (ice) - only Air cooled
- AISI 304 SS Scotch Brite finish
- Tropical class +43°C
- Specific volume 1 m³ = 430 kg of ice
- Vertical fixed "no leak" evaporator
- Anticorrosive alloy evaporator
- Cleanable antiscaling filter
- FDA approved - ABS plastic components
- Easy cleanable internal rounded surfaces
- RoHS Free
- Automatic water charge
- Standard and special voltages



AISI 304 SS Scotch Brite finish



Vertical fixed "no leak" evaporator



Cleanable antiscaling filter

► Usable Bins

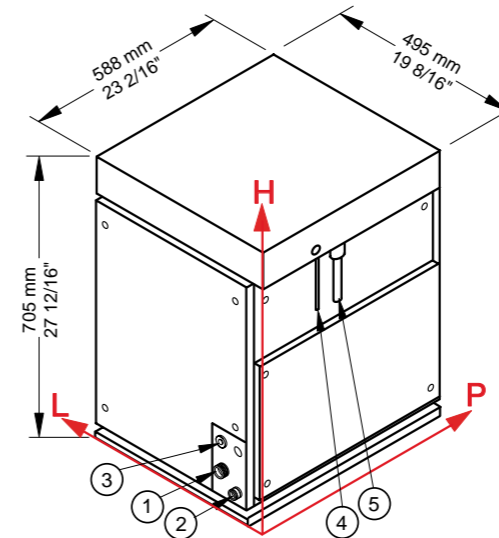
- Bin 350
- Bin 550V DS
- Double Roller Bin 100
- Double Roller Bin 500
- Double Roller Bin 1200

2 Years Warranty
subject to limitations

► Certifications available for this model



Modular ice maker 620 kg - Scale system



► Working conditions

- Location: Indoor

	Min	Max
Ambient temperature	+10° C / +50° F	+43° C / 110° F
Water temperature	+3° C / +37° F	+32° C / +90° F
Voltage	-10%	+10%
Water inlet pressure	1bar (14 psi)	6bar (84 psi)

► Connections

- ① Water inlet
- ② Water outlet
- ③ Electrical connection
- ④ Refrigerant feeding pipe
- ⑤ Outlet pipe of gaseous refrigerant

► Technical information

Production in 24h	620 kg / 1367 lbs
Refrigerant	R404A - R507
Refrigerant capacity	3500 W (evap. temp. -22° C)
Water consumption	1 l/kg - 12,0 gal/100 lbs
Standard voltage	220-240 V ~ 50 Hz
Electrical consumption	180 W
Finish	AISI 304 stainless steel, scotch brite

Sizes (L-P-H mm)	495 - 588 - 705
(L-P-H in)	19 8/16 - 23 2/16 - 27 12/16
Sizes with pack (L-P-H mm)	550 - 655 - 900
(L-P-H in)	21 10/16 - 25 13/16 - 35 7/16
Net weight	73 kg / 161 lbs
Gross weight	89 kg / 196 lbs

All the technical information need to be considered at the following conditions:
Ambient temperature +21° C
Water temperature +15° C
Electrical consumption at +43° C (standard voltage)

Models and specifications are subject to change without notice

Rev. 01 - Issued January 2016

Modular ice maker 620 kg - Scale system

Hotel	
Restaurant	
Fast food	
Bar	
Disco	
Fish market	
Supermarket	
Medical & SPA	
Industry	

► Position n°



► Features & Plus

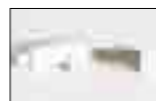
- Sub-cooled scale ice 99% dry
- 1l (water) - 1kg (ice)
- AISI 304 SS Scotch Brite finish
- Tropical class +43°C
- Specific volume 1 m³ = 430 kg of ice
- Vertical fixed "no leak" evaporator
- Anticorrosive alloy evaporator
- Cleanable antiscaling filter
- FDA approved - ABS plastic components
- Easy cleanable internal rounded surfaces
- RoHS Free
- Automatic water charge
- Standard and special voltages
- PS 40bar suction side



AISI 304 SS Scotch Brite finish



Vertical fixed "no leak" evaporator



Cleanable antiscaling filter

► Usable Bins

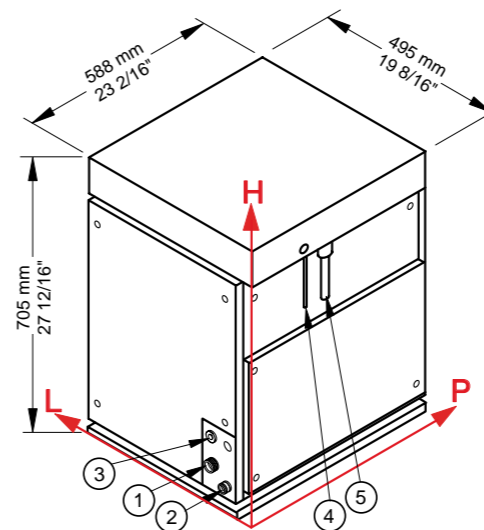
- Bin 350
- Bin 550V DS
- Double Roller Bin 100
- Double Roller Bin 500
- Double Roller Bin 1200

2 Years Warranty
subject to limitations

► Certifications available for this model



Modular ice maker 620 kg - Scale system



► Working conditions

- Location: Indoor

	Min	Max
Ambient temperature	+10° C / +50° F	+43° C / 110° F
Water temperature	+3° C / +37° F	+32° C / +90° F
Voltage	-10%	+10%
Water inlet pressure	1bar (14 psi)	6bar (84 psi)

► Connections

- ① Water inlet
- ② Water outlet
- ③ Electrical connection
- ④ Refrigerant feeding pipe
- ⑤ Outlet pipe of gaseous refrigerant

► Technical information

Production in 24h	620 kg / 1367 lbs	Sizes (L-P-H mm)	495 - 588 - 705
Refrigerant	CO2 (R744)	(L-P-H in)	19 8/16 - 23 2/16 - 27 12/16
Refrigerant capacity	3500 W (evap. temp. -23° C)	Sizes with pack (L-P-H mm)	550 - 655 - 900
PS suction line	580 PSI - 40bar	(L-P-H in)	21 10/16 - 25 13/16 - 35 7/16
Water consumption	1 l/kg - 12,0 gal/100 lbs	Net weight	73 kg / 161 lbs
Standard voltage	220-240 V ~ 50 Hz	Gross weight	89 kg / 196 lbs
Electrical consumption	180 W	Finishing	AISI 304 stainless steel, scotch brite

All the technical information need to be considered at the following conditions:
Refrigerant capacity 3500 W (evap. temp. -23° C)
Water temperature +15° C
Electrical consumption at +43° C (standard voltage)

Models and specifications are subject to change without notice

Rev. 01 - Issued January 2016

Modular ice maker 900 kg - Scale system

Hotel	
Restaurant	
Fast food	
Bar	
Disco	
Fish market	
Supermarket	
Medical & SPA	
Industry	

► Position n°



► Features & Plus

- Sub-cooled scale ice 99% dry
- 1l (water) - 1kg (ice) - only Air cooled
- AISI 304 SS Scotch Brite finish
- Tropical class +43°C
- Specific volume 1 m³ = 430 kg of ice
- Vertical fixed "no leak" evaporator
- AISI 304 SS evaporator
- Cleanable antiscaling filter
- FDA approved - ABS plastic components
- Easy cleanable internal rounded surfaces
- RoHS Free
- Automatic water charge
- Standard and special voltages



AISI 304 SS Scotch Brite finish



Vertical fixed "no leak" evaporator



Cleanable antiscaling filter

► Usable Bins

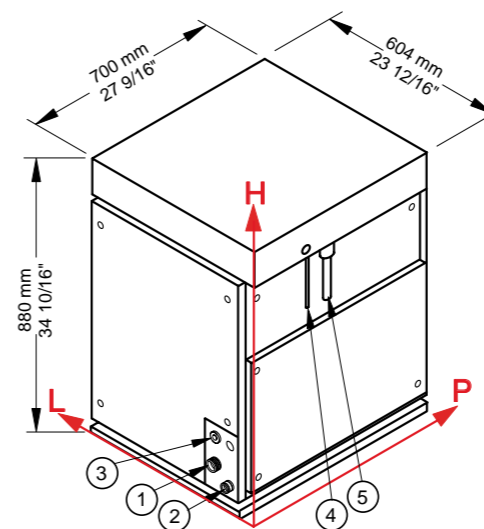
- Bin 550V DS
- Double Roller Bin 500
- Double Roller Bin 1200

2 Years Warranty
subject to limitations

► Certifications available for this model



Modular ice maker 900 kg - Scale system



► Working conditions

- Location: Indoor

	Min	Max
Ambient temperature	+10° C / +50° F	+43° C / 110° F
Water temperature	+3° C / +37° F	+32° C / +90° F
Voltage	-10%	+10%
Water inlet pressure	1bar (14 psi)	6bar (84 psi)

► Connections

- ① Water inlet
- ② Water outlet
- ③ Electrical connection
- ④ Refrigerant feeding pipe
- ⑤ Outlet pipe of gaseous refrigerant

► Technical information

Production in 24h	900 kg / 1984 lbs
Refrigerant	R404A - R507
Refrigerant capacity	5000 W (evap. temp. -23° C)
Water consumption	1 l/kg - 12,0 gal/100 lbs
Standard voltage	220-240 V ~ 50 Hz
Electrical consumption	180 W
Finish	AISI 304 stainless steel, scotch brite

Sizes (L-P-H mm)	604 - 700 - 880
(L-P-H in)	23 12/16 - 27 9/16 - 34 10/16
Sizes with pack (L-P-H mm)	655 - 785 - 1055
(L-P-H in)	25 13/16 - 30 14/16 - 41 9/16
Net weight	138 kg / 304 lbs
Gross weight	153 kg / 337 lbs

All the technical information need to be considered at the following conditions:
Ambient temperature +21° C
Water temperature +15° C
Electrical consumption at +43° C (standard voltage)

Models and specifications are subject to change without notice

Rev. 01 - Issued January 2016

Modular ice maker 1040 kg - Scale system

Hotel	
Restaurant	
Fast food	
Bar	
Disco	
Fish market	
Supermarket	
Medical & SPA	
Industry	

► Position n°



► Features & Plus

- Sub-cooled scale ice 99% dry
- 1l (water) - 1kg (ice)
- AISI 304 SS Scotch Brite finish
- Tropical class +43°C
- Specific volume 1 m³ = 430 kg of ice
- Vertical fixed "no leak" evaporator
- Anticorrosive alloy evaporator
- Cleanable antiscaling filter
- FDA approved - ABS plastic components
- Easy cleanable internal rounded surfaces
- RoHS Free
- Automatic water charge
- Standard and special voltages
- PS 40bar suction side



AISI 304 SS Scotch Brite finish



Vertical fixed "no leak" evaporator



Cleanable antiscaling filter

► Usable Bins

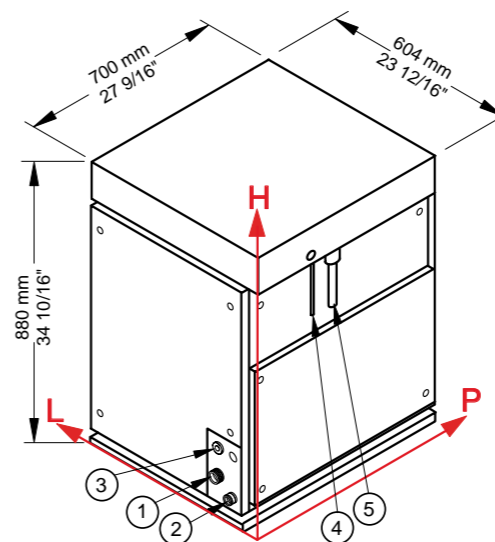
- Bin 550V DS
- Double Roller Bin 500
- Double Roller Bin 1200

2 Years Warranty
subject to limitations

► Certifications available for this model



Modular ice maker 1040 kg - Scale system



► Working conditions

- Location: Indoor

	Min	Max
Ambient temperature	+10° C / +50° F	+43° C / 110° F
Water temperature	+3° C / +37° F	+32° C / +90° F
Voltage	-10%	+10%
Water inlet pressure	1bar (14 psi)	6bar (84 psi)

► Connections

- ① Water inlet
- ② Water outlet
- ③ Electrical connection
- ④ Refrigerant feeding pipe
- ⑤ Outlet pipe of gaseous refrigerant

► Technical information

Production in 24h	1040 kg / 2293 lbs	Sizes (L-P-H mm)	604 - 700 - 880
Refrigerant	CO ₂ (R744)	(L-P-H in)	23 12/16 - 27 9/16 - 34 10/16
Refrigerant capacity	5000 W (evap. temp. -23° C)	Sizes with pack (L-P-H mm)	655 - 785 - 1055
PS suction line	580 PSI - 40bar	(L-P-H in)	25 13/16 - 30 14/16 - 41 9/16
Water consumption	1 l/kg - 12,0 gal/100 lbs	Net weight	138 kg / 304 lbs
Standard voltage	220-240 V ~ 50 Hz	Gross weight	153 kg / 337 lbs
Electrical consumption	180 W	Finishing	AISI 304 stainless steel, scotch brite

All the technical information need to be considered at the following conditions:
Refrigerant capacity 5000 W (evap. temp. -23° C)
Water temperature +15° C
Electrical consumption at +43° C (standard voltage)

Models and specifications are subject to change without notice

Rev. 01 - Issued January 2016

Modular ice maker 1500 kg - Scale system

Hotel	
Restaurant	
Fast food	
Bar	
Disco	
Fish market	
Supermarket	
Medical & SPA	
Industry	

► Position n°



► Features & Plus

- Sub-cooled scale ice 99% dry
- 1l (water) - 1kg (ice) - only Air cooled
- AISI 304 SS Scotch Brite finish
- Tropical class +43°C
- Specific volume 1 m³ = 430 kg of ice
- Vertical fixed "no leak" evaporator
- Anticorrosive alloy evaporator
- Cleanable antiscaling filter
- FDA approved - ABS plastic components
- Easy cleanable internal rounded surfaces
- RoHS Free
- Automatic water charge
- Standard and special voltages



AISI 304 SS Scotch Brite finish



Vertical fixed "no leak" evaporator



Cleanable antiscaling filter

► Usable Bins

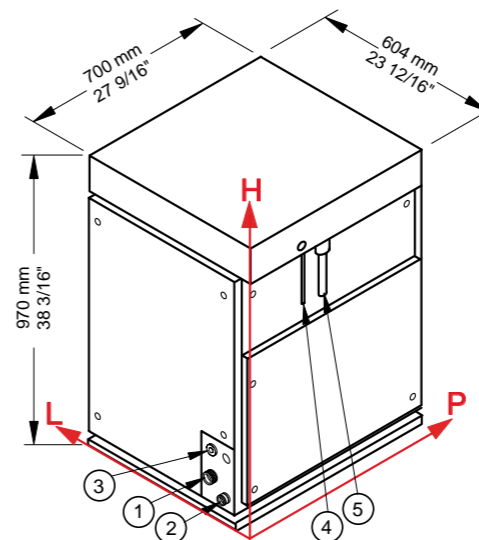
- Bin 550V DS
- Double Roller Bin 500
- Double Roller Bin 1200

2 Years Warranty
subject to limitations

► Certifications available for this model



Modular ice maker 1500 kg - Scale system



► Working conditions

- Location: Indoor

	Min	Max
Ambient temperature	+10° C / +50° F	+43° C / 110° F
Water temperature	+3° C / +37° F	+32° C / +90° F
Voltage	-10%	+10%
Water inlet pressure	1bar (14 psi)	6bar (84 psi)

► Connections

- ① Water inlet
- ② Water outlet
- ③ Electrical connection
- ④ Refrigerant feeding pipe
- ⑤ Outlet pipe of gaseous refrigerant

► Technical information

Production in 24h	1500 kg / 3307 lbs
Refrigerant	R404A - R507
Refrigerant capacity	8550 W (evap. temp. -24° C)
Water consumption	1 l/kg - 12,0 gal/100 lbs
Standard voltage	220-240 V ~ 50 Hz
Electrical consumption	180 W
Finish	AISI 304 stainless steel, scotch brite

Sizes (L-P-H mm)	604 - 700 - 970
(L-P-H in)	23 12/16 - 27 9/16 - 38 3/16
Sizes with pack (L-P-H mm)	655 - 785 - 1145
(L-P-H in)	25 13/16 - 30 14/16 - 45 1/16
Net weight	144 kg / 317 lbs
Gross weight	160 kg / 353 lbs

All the technical information need to be considered at the following conditions:
Ambient temperature +21° C
Water temperature +15° C
Electrical consumption at +43° C (standard voltage)

Models and specifications are subject to change without notice

Rev. 01 - Issued January 2016

Modular ice maker 1520 kg - Scale system

Hotel	
Restaurant	
Fast food	
Bar	
Disco	
Fish market	
Supermarket	
Medical & SPA	
Industry	

► Position n°



► Features & Plus

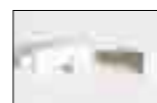
- Sub-cooled scale ice 99% dry
- 1l (water) - 1kg (ice)
- AISI 304 SS Scotch Brite finish
- Tropical class +43°C
- Specific volume 1 m³ = 430 kg of ice
- Vertical fixed "no leak" evaporator
- Anticorrosive alloy evaporator
- Cleanable antiscaling filter
- FDA approved - ABS plastic components
- Easy cleanable internal rounded surfaces
- RoHS Free
- Automatic water charge
- Standard and special voltages
- PS 40bar suction side



AISI 304 SS Scotch Brite finish



Vertical fixed "no leak" evaporator



Cleanable antiscaling filter

► Usable Bins

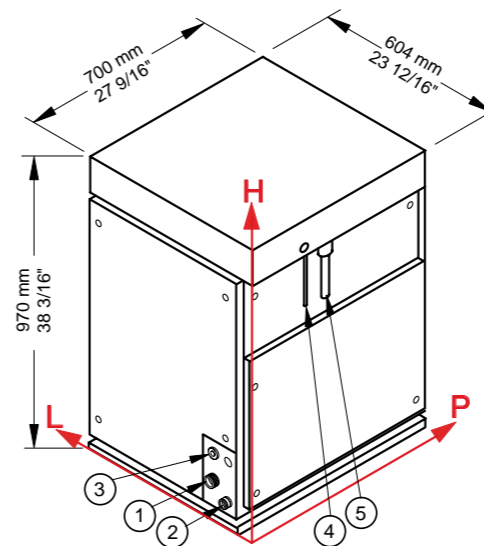
- Bin 550V DS
- Double Roller Bin 500
- Double Roller Bin 1200

2 Years Warranty
subject to limitations

► Certifications available for this model



Modular ice maker 1520 kg - Scale system



► Working conditions

- Location: Indoor

	Min	Max
Ambient temperature	+10° C / +50° F	+43° C / 110° F
Water temperature	+3° C / +37° F	+32° C / +90° F
Voltage	-10%	+10%
Water inlet pressure	1bar (14 psi)	6bar (84 psi)

► Connections

- ① Water inlet
- ② Water outlet
- ③ Electrical connection
- ④ Refrigerant feeding pipe
- ⑤ Outlet pipe of gaseous refrigerant

► Technical information

Production in 24h	1520 kg / 3351 lbs	Sizes (L-P-H mm)	604 - 700 - 970
Refrigerant	CO2 (R744)	(L-P-H in)	23 12/16 - 27 9/16 - 38 3/16
Refrigerant capacity	8550 W (evap. temp. -23° C)	Sizes with pack (L-P-H mm)	655 - 785 - 1145
PS suction line	580 PSI - 40bar	(L-P-H in)	25 13/16 - 30 14/16 - 45 1/16
Water consumption	1 l/kg - 12,0 gal/100 lbs	Net weight	144 kg / 317 lbs
Standard voltage	220-240 V ~ 50 Hz	Gross weight	160 kg / 353 lbs
Electrical consumption	180 W	Finishing	AISI 304 stainless steel, scotch brite

All the technical information need to be considered at the following conditions:
Refrigerant capacity 8550 W (evap. temp. -23° C)
Water temperature +15° C
Electrical consumption at +43° C (standard voltage)

Models and specifications are subject to change without notice

Rev. 01 - Issued January 2016

M 2000 Split

Modular ice maker 2200 kg - Scale system

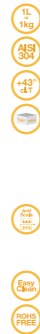
Hotel	
Restaurant	
Fast food	
Bar	
Disco	
Fish market	
Supermarket	
Medical & SPA	
Industry	

► Position n°



► Features & Plus

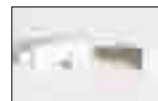
- Sub-cooled scale ice 99% dry
- 1l (water) - 1kg (ice) - only Air cooled
- AISI 304 SS Scotch Brite finish
- Tropical class +43°C
- Specific volume 1 m³ = 430 kg of ice
- Vertical fixed "no leak" evaporator
- AISI 304 SS evaporator
- Cleanable antiscaling filter
- FDA approved - ABS plastic components
- Easy cleanable internal rounded surfaces
- RoHS Free
- Automatic water charge
- Standard and special voltages



AISI 304 SS Scotch Brite finish



Vertical fixed "no leak" evaporator



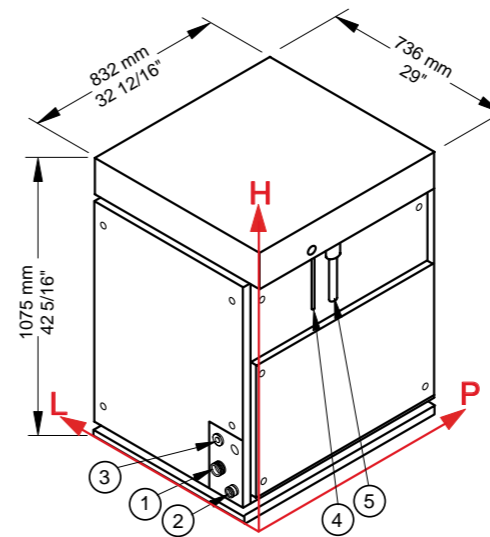
Cleanable antiscaling filter

2 Years Warranty
subject to limitations

► Certifications available for this model



Modular ice maker 2200 kg - Scale system



► Working conditions

- Location: Indoor

	Min	Max
Ambient temperature	+10° C / +50° F	+43° C / 110° F
Water temperature	+3° C / +37° F	+32° C / +90° F
Voltage	-10%	+10%
Water inlet pressure	1bar (14 psi)	6bar (84 psi)

► Connections

- ① Water inlet
- ② Water outlet
- ③ Electrical connection
- ④ Refrigerant feeding pipe
- ⑤ Outlet pipe of gaseous refrigerant

► Technical information

Production in 24h	2200 kg / 4850 lbs
Refrigerant	R404A - R507
Refrigerant capacity	12000 W (evap. temp. -27° C)
Water consumption	1 l/kg - 12,0 gal/100 lbs
Standard voltage	400-415 V ~ 3N 50Hz
Electrical consumption	180 W
Finish	AISI 304 stainless steel, scotch brite

Sizes (L-P-H mm)	736 - 832 - 1075
(L-P-H in)	29 - 32 12/16 - 42 5/16
Sizes with pack (L-P-H mm)	830 - 946 - 1345
(L-P-H in)	32 13/16 - 37 4/16 - 52 15/16
Net weight	300 kg / 661 lbs
Gross weight	328 kg / 723 lbs

All the technical information need to be considered at the following conditions:
Ambient temperature +21° C
Water temperature +15° C
Electrical consumption at +43° C (standard voltage)

Models and specifications are subject to change without notice

Rev. 01 - Issued January 2016

ID 70

Bin Series

► Features & Plus

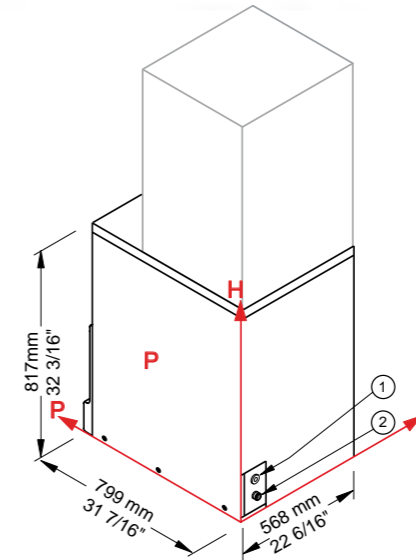
- Ice cubes dispensers with manual charge
- Particularly suitable for the ice production of fast-food restaurants or places that pour fizzy drinks.

► Connections

- ① Electrical connection: 86 mm / 3 6/16" - 90 mm / 3 9/16"
- ② Water out.: 95 mm / 3 12/16" - 40 mm / 1 9/16" - 24 mm / 15/16"

► Technical information

Storage capacity up to	18-21 kg - 40-46 lbs
Kind of cube	7g, 13 x 18 x 13 (approximate size)
Standard voltage	220-240 V ~ 50 Hz
Electrical consumption	240 W
Net weight	58 kg - 128 lbs
Gross weight	66 kg - 146 lbs
Sizes (L-P-H mm)	568 x 799 x 817 mm
(L-P-H in)	22 6/16 x 31 7/16 x 32 3/16 "
Sizes with pack (L-P-H mm)	600 x 900 x 1030 mm
(L-P-H in)	23 10/16 x 35 7/16 x 40 9/16 "
Finish	AISI 304 stainless steel, scotch brite


[Back to the model list](#)

Bin 240 PE

Bin Series

► Features & Plus

- Polyethylene moulded, fit to come into contact with foodstuffs
- Highly insulated, avoid the ice melting for a long time

► Technical information

Storage capacity up to 180 kg - 397 lbs

C 150 - VM 350/500/900

Usable with G 160/280/510/510 Split

G 700 Split CO₂ - TM 140/250/450

Net weight 61 kg - 134 lbs

Gross weight 92 kg - 203 lbs

Sizes (L-P-H mm) * 942 x 795 x 1053 mm

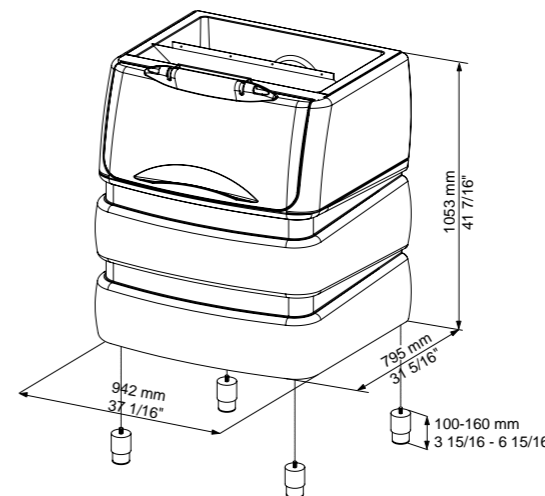
(L-P-H in) 37 1/16 x 31 5/16 x 41 7/16 "

Sizes with pack (L-P-H mm) 1035 x 885 x 1275 mm

(L-P-H in) 40 12/16 x 34 13/16 x 50 3/16 "

Sizes without feet

* Adjustable foot 100-160 mm



Bin 110

Bin Series

► Features & Plus

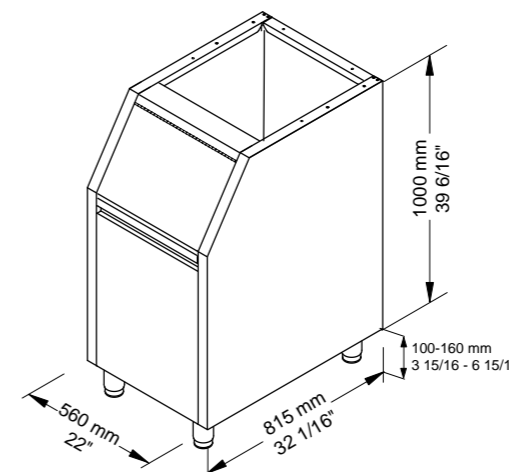
- Frame completely in stainless steel 18/8 scotch brite
- Inside tank in polyethylene, suitable to get into contact with foodstuff and simple to clean
- Highly insulated, avoid the ice melting for a long time

► Technical information

Storage capacity up to	100 kg - 220 lbs
	VM 350 - G 160/280/510
Usable with	G 510 Split/700 Split CO ₂
	TM 140/250/450
Net weight	53 kg - 117 lbs
Gross weight	65 kg - 143 lbs
Sizes (L-P-H mm) *	560 x 815 x 1000 mm
(L-P-H in)	22 x 32 1/16 x 39 6/16 "
Sizes with pack (L-P-H mm)	620 x 880 x 1175 mm
(L-P-H in)	24 7/16 x 34 10/16 x 46 4/16 "

Sizes without feet

* Adjustable foot 100-160 mm



Bin 200

Bin Series

► Features & Plus

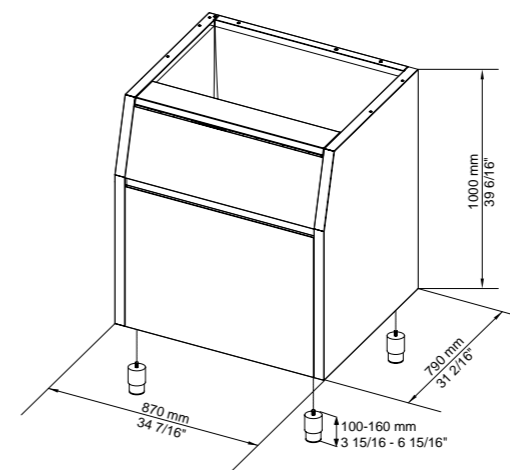
- Frame completely in stainless steel 18/8 scotch brite
- Inside tank in polyethylene, suitable to get into contact with foodstuff and simple to clean
- Highly insulate, avoid the ice melting for a long time

► Technical information

Storage capacity up to	200 kg - 441 lbs
	C 150 - VM 350/500/900
Usable with	G 160/280/510/510 split/700 split CO ₂ TM
	140/250/450 - M 250
Net weight	74 kg - 163 lbs
Gross weight	93 kg - 205 lbs
Sizes (L-P-H mm) *	870 x 790 x 1000 mm
(L-P-H in)	34 4/16 x 31 2/16 x 39 6/16 "
Sizes with pack (L-P-H mm)	920 x 840 x 1210 mm
(L-P-H in)	36 4/16 x 33 1/16 x 47 10/16 "

Sizes without feet

* Adjustable foot 100-160 mm



Bin 350

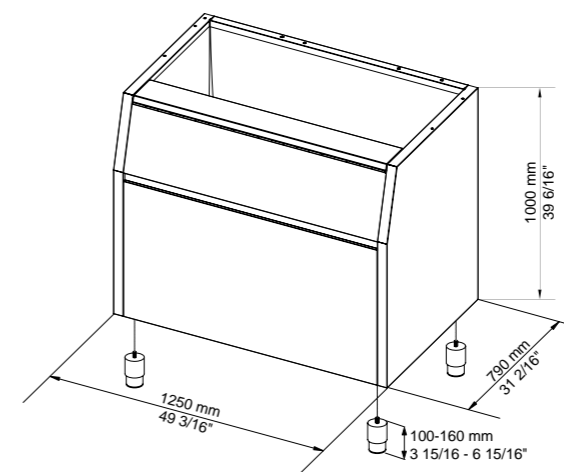
Bin Series

► Features & Plus

- Frame completely in stainless steel 18/8 scotch brite
- Inside tank in polyethylene, suitable to get into contact with foodstuff and simple to clean
- Highly insulate, avoid the ice melting for a long time

► Technical information

Storage capacity up to	350 kg - 772 lbs
Usable with	C 150/300/300 Split - VM 500/900/1700 G 160/280/510/510 Split/700 Split CO ₂ TM 140/250/450 - M 250/350/600 M 350 Split/600 Split - M 600 Split CO ₂
Net weight	105 kg - 231 lbs
Gross weight	126 kg - 278 lbs
Sizes (L-P-H mm) *	1250 x 790 x 1000 mm
(L-P-H in)	49 3/16 x 31 2/16 x 39 6/16 "
Sizes with pack (L-P-H mm)	1300 x 850 x 1180 mm
(L-P-H in)	51 1/5 x 33 7/16 x 46 7/16 "
Sizes without feet	
* Adjustable foot	100-160 mm



Bin 550V DS

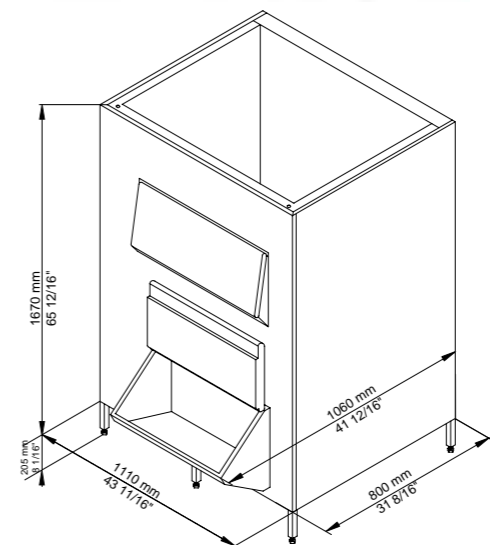
Bin Series

► Features & Plus

- Made of AISI 304 scotch brite 18/8 stainless steel, with effective insulation that provides long-lasting prevention of ice melting
- Vertical design, equipped with 2 doors to facilitate removal of the ice

► Technical information

Storage capacity up to	550 kg - 1213 lbs
	G 510/510 Split/700 Split CO ₂
Usable with	G 1000/1000 Split/1400 Split CO ₂ - TM 450
	M 600/800/1500/600 Split/600 Split CO ₂
	M 800 Split/1000 Split CO ₂
	M 1500 Split/1500 Split CO ₂
Net weight	163 kg - 359 lbs
Gross weight	177 kg - 390 lbs
Sizes (L-P-H mm)	1110 x 1060 x 1915 mm
(L-P-H in)	43 11/16 x 41 12/16 x 75 6/16 "
Sizes with pack (L-P-H mm)	1280 x 1235 x 1960 mm
(L-P-H in)	50 6/16 x 48 10/16 x 77 3/16 "



Roller Bin 100

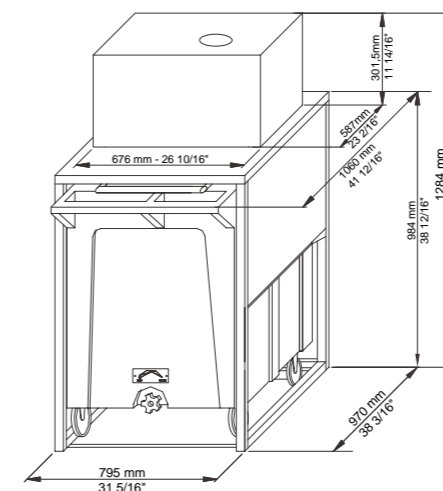
Bin Series

► Features & Plus

- 18/8 stainless steel bearing structure where lean: the intermediate container to collect ice while the trolley is out and the icemaker
- Trolley for the ice collection and transport; polyethylene moulded, fit to come into contact with foodstuffs; internally insulated to assure the perfect ice conservation; supplied on 4 wheels with foot block

► Technical information

Storage capacity up to	108 kg - 238 lbs
Store capacity up to	17 kg - 37 lbs
Usable with	G160/280/510/510 Split G700 Split CO ₂ TM 140/250/450
Net weight	64 kg - 141 lbs
Gross weight	80 kg - 176 lbs
Sizes (L-P-H mm)	795 x 1060 x 1284 mm
(L-P-H in)	31 5/16 x 41 12/16 x 50 9/16 "
Sizes with pack (L-P-H mm)	860 x 1125 x 1145 mm
(L-P-H in)	33 14/16 x 44 5/16 x 45 1/16 "



DRB 100

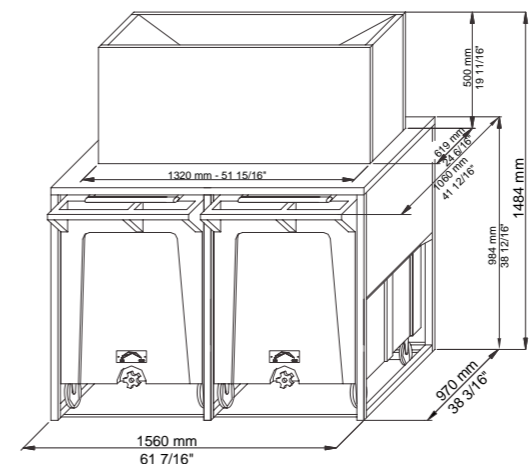
Bin Series

► Features & Plus

- 18/8 stainless steel bearing structure where lean: the intermediate container to collect ice while the trolley is out and the icemaker
- Trolley for the ice collection and transport; polyethylene moulded, fit to come into contact with foodstuffs; internally insulated to assure the perfect ice conservation; supplied on 4 wheels with foot block

► Technical information

Storage capacity up to	108 x 2 kg - 238 x 2 lbs
Store capacity up to	50 kg - 110 lbs
Usable with	VM 500/900 - G 280/510 G 510 Split/700 Split CO ₂ TM 250/450 - M 350/600 M 350 Split/600 Split M 600 Split CO ₂
Net weight	135 kg - 298 lbs
Gross weight	170 kg - 375 lbs
Sizes (L-P-H mm)	1560 x 1060 x 1484 mm
(L-P-H in)	61 7/16 x 41 12/16 x 58 7/16 "
Sizes with pack (L-P-H mm)	1625 x 1125 x 1655 mm
(L-P-H in)	64 x 44 5/16 x 65 3/16 "



DRB 500

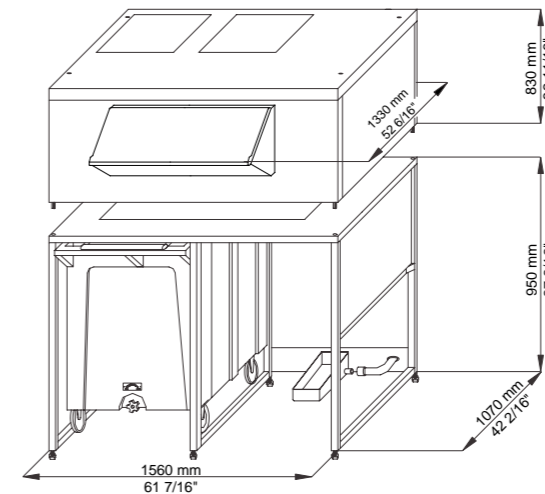
Bin Series

► Features & Plus

- 18/8 stainless steel bearing structure where lean: the intermediate container to collect ice while the trolley is out and the icemaker
- Trolley for the ice collection and transport; polyethylene moulded, fit to come into contact with foodstuffs; internally insulated to assure the perfect ice conservation; supplied on 4 wheels with foot block

► Technical information

Storage capacity up to	108 x 2 kg - 238 x 2 lbs
Store capacity up to	300 kg - 661 lbs
Usable with	G 510/510 Split/700 Split CO ₂ G 1000/1000 Split/1400 Split CO ₂ - TM 450 M 600/800/1500/600 Split/600 Split CO ₂ M 800 Split/1000 Split CO ₂ M 1500 Split/1500 Split CO ₂
Net weight	204 kg - 450 lbs
Gross weight	307 kg - 677 lbs
Sizes (L-P-H mm)	1560 x 1330 x 1780 mm
(L-P-H in)	61 7/16 x 52 6/16 x 70 1/16 "
Sizes with pack (L-P-H mm)	1630 x 1200 x 1145 mm (x2)
(L-P-H in)	64 3/16 x 47 4/16 x 45 1/16 " (x2)



DRB 1200

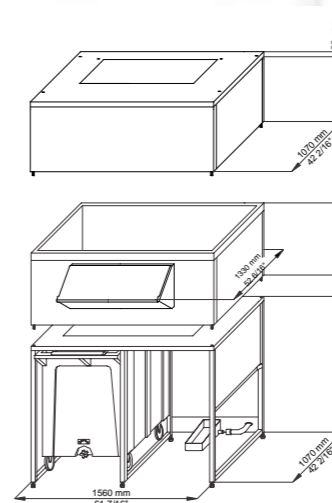
Bin Series

► Features & Plus

- 18/8 stainless steel bearing structure where lean: the intermediate container to collect ice while the trolley is out and the icemaker
- Trolley for the ice collection and transport; polyethylene moulded, fit to come into contact with foodstuffs; internally insulated to assure the perfect ice conservation; supplied on 4 wheels with foot block

► Technical information

Storage capacity up to	108 x 2 kg - 238 x 2 lbs
Store capacity up to	≈ 1000 kg - 2205 lbs
Usable with	G 510/510 Split/700 Split CO ₂ G 1000/1000 Split/1400 Split CO ₂ - TM 450 M 600/800/1500/600 Split/600 Split CO ₂ M 800 Split/1000 Split CO ₂ M 1500 Split/1500 Split CO ₂
Net weight	251 kg - 553 lbs
Gross weight	404 kg - 891 lbs
Sizes (L-P-H mm)	1560 x 1330 x 2460 mm
(L-P-H in)	61 7/16 x 52 6/16 x 96 14/16 "
Sizes with pack (L-P-H mm)	1630 x 1200 x 1145 mm (x3)
(L-P-H in)	64 3/16 x 47 4/16 x 45 1/16 " (x3)





AISI 304 stainless steel, scotch brite

AISI304 is a no-magnetic stainless steel: very durable and no subject to oxidation

Possible ABS finish

Also available with a smart
ABS cabinet.





Tropical class **+43° C**

A regular functionality up to 43°C
room temperature



Adjustable Stainless Steel feet

Adjustable feet between
110 and 115 mm



Cleanable antiscalc filter

A very effective scale trap;
easy to remove and clean
with no tools



Removable and cleanable air filter

The filter can be easily removed
and cleaned with no tools



Easy cleanable internal rounded surfaces

The internal surfaces design offers a reduced possibility of accumulation of dirt.

Very easy to clean with no tools



HCFC-Free insulated storage

A very high insulation performance
with no ozone depleting substances
in the cabinet insulation foam.



ROHS Free

A RoHS free product, with no
dangerous materials



Disappearing insulated door

Very high insulation when closed,
no bulky when opened



Electromechanical operation

A product that is easy to use
and service in any place of the planet



ON-OFF rocker switch

Energy Saving - The unit can be turned off instead of stand-by



Patented sprayer slide

Sprayer and slide in one piece:
easy to remove and clean



AISI 304 stainless steel, scotch brite

AISI304 is a no-magnetic stainless steel: very durable and no subject to oxidation



Tropical class **+43° C**

A regular functionality up to 43°C
room temperature



Adjustable Stainless Steel feet

Adjustable feet between
110 and 115 mm



Cleanable antiscalc filter

A very effective scale trap;
easy to remove and clean
with no tools



Removable and cleanable air filter

The filter can be easily removed
and cleaned with no tools



Easy cleanable internal rounded surfaces

The internal surfaces design offers a reduced possibility of accumulation of dirt.

Very easy to clean with no tools



HCFC-Free insulated storage

A very high insulation performance
with no ozone depleting substances
in the cabinet insulation foam.



ROHS Free

A RoHS free product, with no
dangerous materials



Disappearing insulated door

Very high insulation when closed,
no bulky when opened



Electromechanical operation

A product that is easy to use
and service in any place of the planet



ON-OFF rocker switch

Energy Saving - The unit can be turned off instead of stand-by



Automatic washing system

By a switch, the unit can be easily turned in washing mode shutting down the compressor



AISI 304 stainless steel, scotch brite

AISI304 is a no-magnetic stainless steel: very durable and no subject to oxidation



Tropical class **+43° C**

A regular functionality up to 43°C
room temperature



Adjustable Stainless Steel feet

Adjustable feet between
110 and 115 mm



Removable and cleanable air filter

The filter can be easily removed
and cleaned with no tools



Easy cleanable internal rounded surfaces

The internal surfaces design offers a reduced possibility of accumulation of dirt.

Very easy to clean with no tools



HCFC-Free insulated storage

A very high insulation performance
with no ozone depleting substances
in the cabinet insulation foam.



ROHS Free

A RoHS free product, with no
dangerous materials



Disappearing insulated door

Very high insulation when closed,
no bulky when opened



Electromechanical operation

A product that is easy to use
and service in any place of the planet



ON-OFF rocker switch

Energy Saving - The unit can be turned off instead of stand-by



1l (water) = 1 kg (ice)
Only air cooled

No Waste - With this particular technology, every drop of water becomes usable ice



AISI 304 stainless steel, scotch brite

AISI304 is a no-magnetic stainless steel: very durable and no subject to oxidation



Tropical class **+43° C**

A regular functionality up to 43°C
room temperature



Adjustable Stainless Steel feet

Adjustable feet between
110 and 115 mm



Removable and cleanable air filter

The filter can be easily removed
and cleaned with no tools



AISI 304 SS evaporator

Very durable and no subject
to oxidation.

It ensures a safe contact with ice



Easy cleanable internal rounded surfaces

The internal surfaces design offers a reduced possibility of accumulation of dirt.

Very easy to clean with no tools



HCFC-Free insulated storage

A very high insulation performance
with no ozone depleting substances
in the cabinet insulation foam.



Dust-proof water basin

The sealed and hermetic basin is a barrier for dust and impurities



Frame in INOX

Very solid and durable
against corrosion



ROHS Free

A RoHS free product, with no
dangerous materials



Disappearing insulated door

Very high insulation when closed,
no bulky when opened



Electromechanical operation

A product that is easy to use
and service in any place of the planet



ON-OFF rocker switch

Energy Saving - The unit can be turned off instead of stand-by



1m³ = 550 kg of ice

High storage efficiency



Rotation sensor on low speed shaft

It is positioned on the auger side upstream the gear motor.

It provides a more accurate measure and better protects the gear motor



1l (water) = 1 kg (ice)
Only air cooled

No Waste - With this particular technology, every drop of water becomes usable ice



AISI 304 stainless steel, scotch brite

AISI304 is a no-magnetic stainless steel: very durable and no subject to oxidation



Tropical class **+43° C**

A regular functionality up to 43°C
room temperature



Adjustable Stainless Steel feet

Adjustable feet between
110 and 115 mm



Removable and cleanable air filter

The filter can be easily removed
and cleaned with no tools



AISI 304 SS evaporator

Very durable and no subject
to oxidation.

It ensures a safe contact with ice



Easy cleanable internal rounded surfaces

The internal surfaces design offers a reduced possibility of accumulation of dirt.

Very easy to clean with no tools



HCFC-Free insulated storage

A very high insulation performance
with no ozone depleting substances
in the cabinet insulation foam.



Dust-proof water basin

The sealed and hermetic basin is a barrier for dust and impurities



Frame in INOX

Very solid and durable
against corrosion



ROHS Free

A RoHS free product, with no
dangerous materials



Disappearing insulated door

Very high insulation when closed,
no bulky when opened



Electromechanical operation

A product that is easy to use
and service in any place of the planet



ON-OFF rocker switch

Energy Saving - The unit can be turned off instead of stand-by



Rotation sensor on low speed shaft

It is positioned on the auger side upstream the gear motor.

It provides a more accurate measure and better protects the gear motor



1m³ = 550 kg of ice

High storage efficiency



1l (water) = 1 kg (ice)
Only air cooled

No Waste - With this particular technology, every drop of water becomes usable ice



AISI 304 stainless steel, scotch brite

AISI304 is a no-magnetic stainless steel: very durable and no subject to oxidation



Tropical class **+43° C**

A regular functionality up to 43°C
room temperature



Removable and cleanable air filter

The filter can be easily removed
and cleaned with no tools



AISI 304 SS evaporator

Very durable and no subject
to oxidation.

It ensures a safe contact with ice



Easy cleanable internal rounded surfaces

The internal surfaces design offers a reduced possibility of accumulation of dirt.

Very easy to clean with no tools



Frame in INOX

Very solid and durable
against corrosion



ROHS Free

A RoHS free product, with no
dangerous materials



Electromechanical operation

A product that is easy to use
and service in any place of the planet



1m³ = 430 kg of ice

High storage efficiency



Vertical fixed “no leak” evaporator

The evaporator is not turning and a rotating knife removes the ice from it. Without rotating joints, there is no risk of refrigerant leak



Cleanable antiscalant filter

A very effective scale trap;
easy to remove and clean
with no tools

FDA approved ABS water basin

A full compliancy to food contact

Anticorodal alloy evaporator

Evaporator with an excellent resistance to corrosion; suitable for usage with salted water

Standard and special voltages

All voltages available



Brema Ice Makers S.p.A.

Via dell'industria 10

20020, Villa Cortese (MI), Italy

tel +39 0331 434811

fax +39 0331 433833

info@bremaice.it

www.bremaice.it

Rel. 01 - January 2016



Kontakt



tel: 22 517 15 75
infolinia: 801 40 50 63



Stalgast sp. z o. o.
03-736, Plac Konesera 9
Warsaw



www.stalgast.com
E-mail:
stalgast**@stalga**st**.com**

20220716

